

PROJECT: _____

TYPE: _____

NOTES: _____



CPMKL LED

Great perimeter system offered with either regressed, flush, or no lens and provided with wall wash reflector. Cut to fit exact measurements.



Features

- Cut to exact dimensions of space
- Damp Location Rated
- CRI Value: 80+; available in 90+
- 5 year, 50,000 hour lamp life Warranty
- 2700k, 3000k, 3500k, 4000k, and 5000k color temperatures available

Applications

- Offices
- Retail Stores
- Classrooms
- Reception Areas
- Corridors

Details

Construction: Extruded Aluminum.

Lens: Optional regressed, flush, or no lens.

Electrical: Integral driver with dimming. Several driver options available. See below for Lutron Dimming information:

LTEA=2-wire forward phase; Hi-lume 1% Dimming, only available for 120V.

L3DA=3-wire EcoSystem; Hi-lume 1% Dimming

LDE1=Digital EcoSystem; Hi-lume 1% Dimming, 'soft-on fade-to-black' (Required for Daylighting)

LDE5=5 Series EcoSystem; 5% Dimming.

Warranty: 5 year limited warranty; covers standard components.

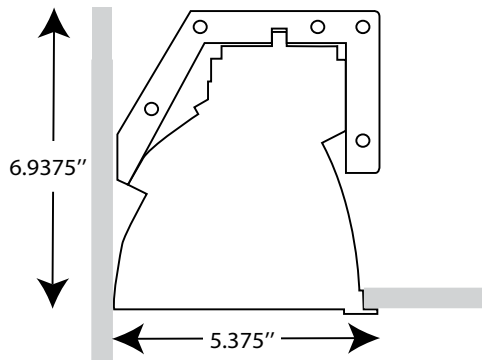
Approvals: Union made, ETL listed, and manufactured in the US. Rated for Damp Location.

LED System Information

	Nominal System Watts	Nominal Delivered Lumens	Nominal Efficacy
Standard (LTG1)	7.25W/ft	740Lm/ft	102Lm/W
Low (LTG2)	5W/ft	510Lm/ft	102Lm/W
High (LTG3)	8.75W/ft	850Lm/ft	97Lm/W

Please Note: Values reflect 'RG' option. Standard CRI is 80+, must specify for requests over 90. Outputs reflected in chart based on 4000K color temperature. For custom LED package requests consult factory; wattages vary based on specified output. Additional photometric information available.

Extrusion Dimensions



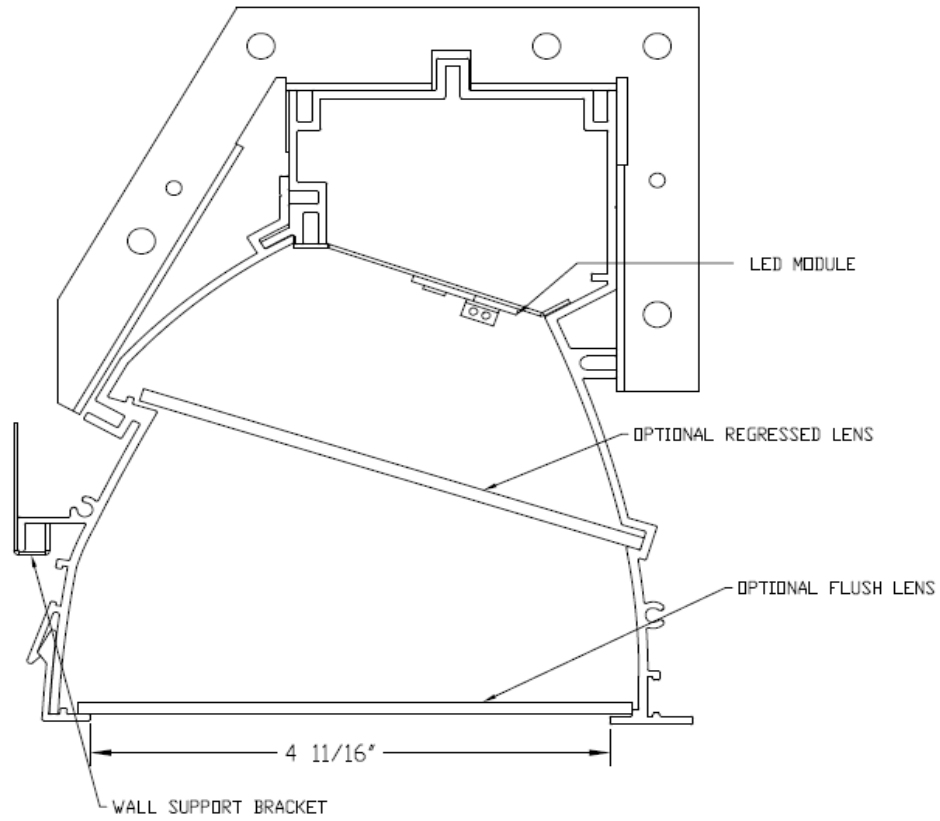
Ordering Information

CPMKL

LED Series	Size	LED System	Color Temp	Voltage	Lens	Driver	Options
	4FT	LTG1- Standard	2700K	120	O- Open	DB- Standard 10% Dimming (0-10V)	EM-Emergency Pack
	8FT	LTG2- Low	3000K	277	RG- Regressed	DB1%-1% Dimming (0-10V)	EIS- Integral Sensor by Enlighted
	XFT (Continuous Row Mounting)	LTG3- High	3500K	UNV	FL- Flushed	DB.01%-.01% Dimming (0-10V)	WIS- Integral Sensor by Wattstopper
		C- Custom Output (ie-C650Lm/ft)	4000K			LTEA*-Lutron 2-wire 1% Dimming	90CRI- CRI of 90+
			5000K			L3DA*-Lutron 3-wire 1% Dimming	CC- Custom Color
						LDE1*-Lutron Digital EcoSystem	
						LDE5*-5 Series EcoSystem; 5% Dimming	

*Refer to 'Electrical' Information Above

Ordering Example: CPMKL LED-4FT-LTG1-4000K-UNV-RG-LTEA-EM



DO NOT MODIFY OR ALTER THIS PRODUCT IN ANY WAY, OR INSTALL IN ANY FASHION WHICH IS CONTRARY TO THE INSTRUCTIONS CONTAINED HEREIN.

IF YOU HAVE ANY QUESTIONS REGARDING THIS PRODUCT OR THE INSTALLATION OF IT, PLEASE CALL CORONET, INC AT 973-345-7660.

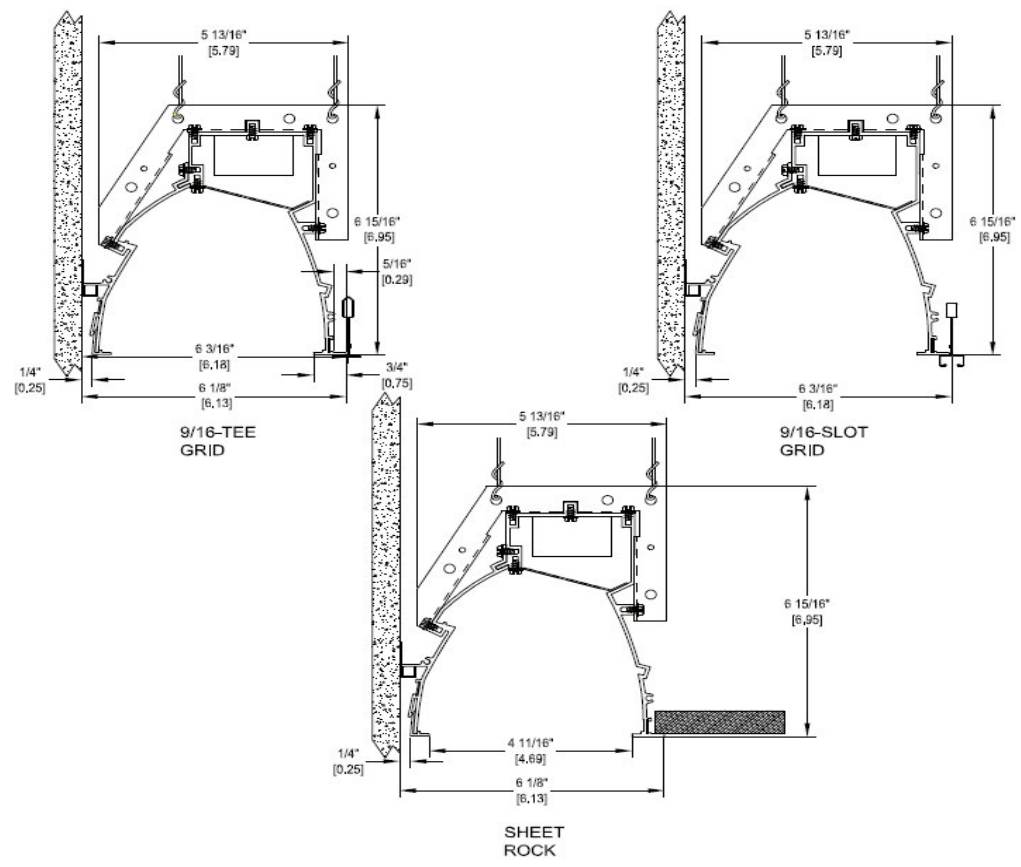
NOTES: PRIOR TO STARTING

- A. WALL SURFACE SHOULD BE FINISHED A MINIMUM OF 8" ABOVE THE CEILING
- B. SUPPORT RAILS ARE SHIPPED IN 48" LENGTHS: SAWCUT TO SUIT FIELD CONDITIONS. ONE SUPPORT RAIL PER FIXTURE TO BE MOUNTED ON CENTER OF UNIT.

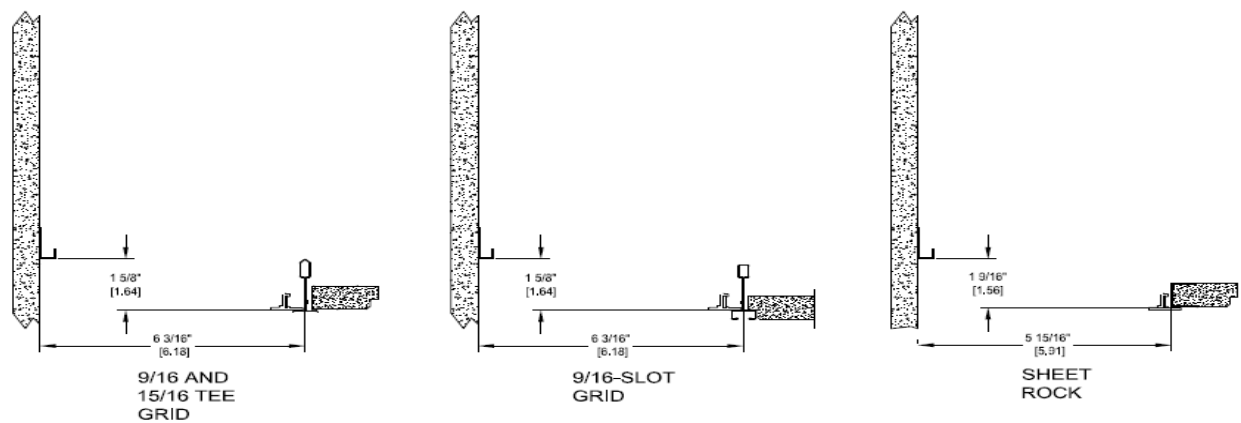
INSTRUCTIONS:

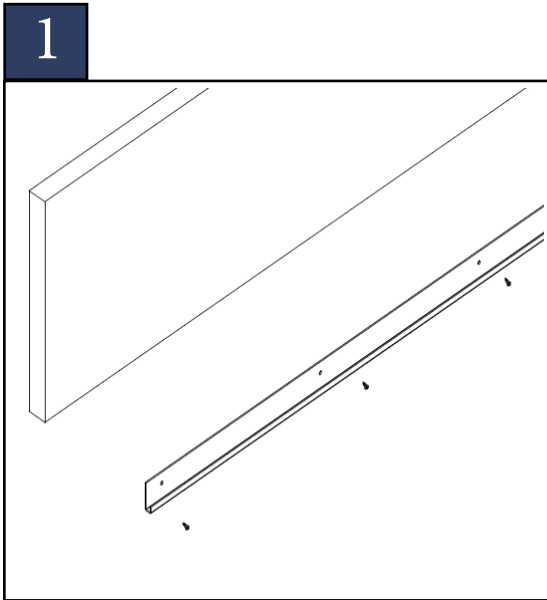
(IMPORTANT- CORRECT LOCATION IS BASED ON CEILING TYPE BEING USED; SEE BELOW)

1. CHALK LEVEL LINE ABOVE CEILING ALONG THE WALL FOR POSITIONING THE BOTTOM EDGE OF THE SUPPORT RAIL. SEE BELOW FOR DIMENSION.
2. PLACE BOTTOM EDGE OF SUPPORT RAIL ON CHALK LINE AND FASTEN TO WALL WITH HARDWARE NEEDED.
3. MOUNT SUPPORT RAILS TO WALL. SHIM BEHIND SUPPORT RAILS WHEN NECESSARY TO FORM A CONTINUOUS STRAIGHT RAIL.

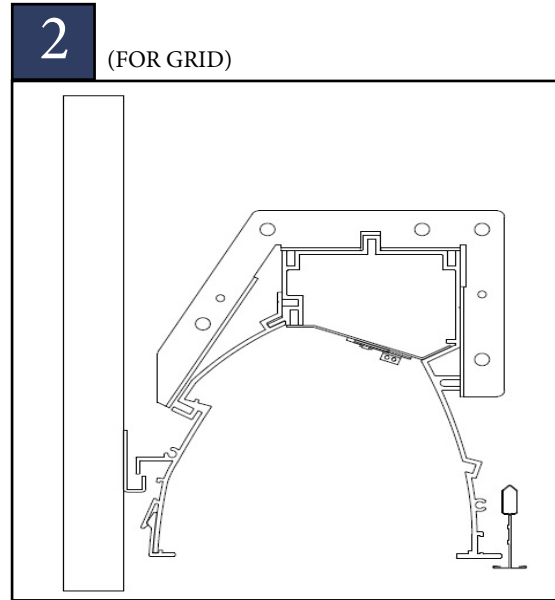


Ceiling Types:

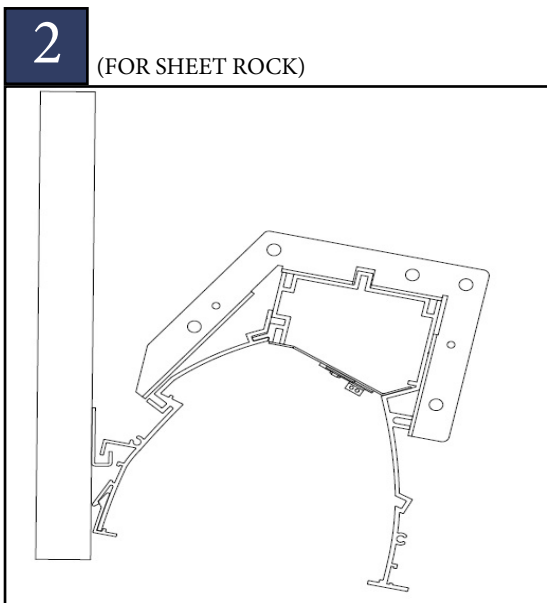




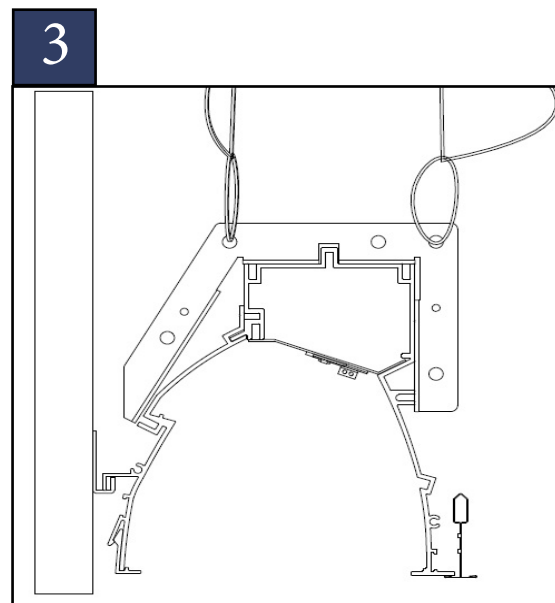
1
MOUNT SUPPORT BRACKET TO WALL



2 (FOR GRID)
LIFT HOUSING INTO PLACE AND ENGAGE WITH BOTH SUPPORT BRACKET AND GRID



2 (FOR SHEET ROCK)
LIFT HOUSING INTO PLACE AND ENGAGE WITH SUPPORT BRACKET



3
SECURE WIRE-TIES TO BRACKETS

CONNECTING RUNS:

INSTRUCTIONS:

1. Slide aligner keys into appropriate grooves on adjoining unit.
2. Place screws into brackets and secure washers (included)

