



# KLR305

## Architectural Recessed 1X4 LED Volume Luminaire Ultra-Shallow Design

Fixture Type: \_\_\_\_\_

Job Information: \_\_\_\_\_  
\_\_\_\_\_  
\_\_\_\_\_

### SPECIFICATIONS:

#### LED MODULES:

- High performance linear configured LED module boards.
- Each board consists of multiple mid-power, high efficacy LEDs in a precise layout eliminating the need for supplemental heat sinking.
- The boards produce an even and diffuse light which maximizes optical efficiency.
- Compatible with the dimming performance of the LED driver.
- Color temperatures available: 3000K, 3500K and 4000K.
- Upon request: 5000K.

#### LED DRIVERS:

- Factory programmable constant current LED power supply.
- Multiple standard drive current outputs (factory set by Mercury) are cataloged with their corresponding lumen package offerings. Upon request, custom drive current outputs and lumen packages are available.
- Note: Certain cataloged lumen packages may be provided with a non-programmable constant current LED power supply at Mercury's discretion. Contact factory if critical.
- Universal voltage input, 120V-277V, 50HZ-60HZ.
- Specification grade dimming down to 1% on 0-10V dimming controls.

#### LED LUMEN PACKAGES:

- Cataloged standard lumen packages. See attached chart for full details.
- Custom lumen packages pre-set are optional with programmable drivers only. Contact factory for details.

#### HOUSING:

- All metal parts are fabricated in a computer-controlled operation from heavy gauge code grade cold rolled steel.
- Rivets hold all parts together for strength and unity.
- A custom formulated non-glare white powder coating is applied to the housing after fabrication providing a reflectivity of at least 90%.
- Optional heat removal feature; a series of slots in the housing allows ambient room air/heat to be vented to the plenum.

#### DIFFUSER:

- Architecturally-squared profile design.
- Extruded from custom formulated high transmission acrylic material.
- Linear ribbing for high LED performance.

#### STANDBY LIGHTING OPTION:

- Self contained module, 7W, 10W or 12W as specified. Battery backup upon loss of power.
- May not be available with some higher lumen packages. See Lumen package matrix.

#### INSTALLATIONS:

- Designed for installation into NEMA Type G lay-in acoustical grid ceiling systems, 1" grid or 9/16" fine-line grid.
- For NEMA Type F dry wall applications an additional flange kit must be used with Type G housing.
- Four pry-out style grid support clips are located on the housing sides.
- Four auxiliary suspension points are also provided for securing to building structure.
- A quick wiring access plate is located on back of the housing. Additional knockouts provided.
- Factory installed power whips as specified.

#### CERTIFICATE OF SAFETY COMPLIANCE AND LISTINGS:

- Luminaire: UL and CUL listed 1598 and bears their label. Suitable for damp locations.
- Optional: Suitable for wet locations marking is available. Contact factory for all details.
- IC rated. (Some higher lumen packages may not qualify. See Lumen Package matrix).

### FEATURES:

- Ultra-shallow recessed 1X4 ambient LED luminaire featuring a single linear high transmission acrylic diffuser.
- Architecturally-squared diffuser envelopes the LED light source allowing maximum light transmission while eliminating pixilations and hot spots.
- Delivers a balanced amount of horizontal and vertical illumination.
- Digital LED technology provides high efficacy and energy efficiency.
- Multiple power and light levels are offered as standard to allow meeting design and energy needs per application. Custom factory set levels available on request.
- Lumen maintenance; Reported L70 (hours) & L80 (hours) > 60,000.
- CRI greater than 80.
- Fixture lumens per watt ratios up to 138.
- Optional heat removal feature allows ambient room air/heat to be vented to plenum.
- American Made.

# KLR305 1X4

Fixture Type: \_\_\_\_\_

Job Information: \_\_\_\_\_

**ORDERING DATA:** Fill in boxes below with corresponding bold options.

Example: KLR305-14G-5700-35K-1%-UNI-EM7

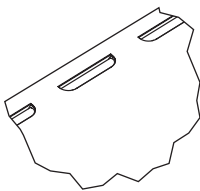
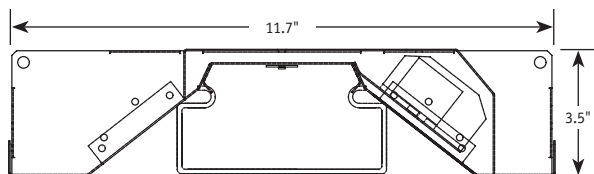
SERIES	MODULE SIZE/CEILING	NOMINAL LUMENS	COLOR TEMP	DRIVER	VOLTAGE	STANDBY LIGHTING OPTIONS	OPTIONS
KLR305	<b>14G</b> 1X4 Module/ Nema Type G/Lay-In Grid, 1" or 9/16" Fine Line.	<b>2600</b> <b>3200</b> <b>3700</b> <b>4000</b> <b>4600</b> <b>5000</b> <b>5700</b> <b>7800</b> <b>11100</b> <b>XXXX</b> Custom Lumen Package. Contact Factory.	<b>30K</b> <b>35K</b> <b>40K</b> <b>50K</b> Upon Request	<b>1%</b> 0-10V 1% Dimming — As Specified	<b>UNI</b>	<b>EM7</b> <b>EM10</b> <b>EM12</b>	<b>FLX</b> 6Ft. Single Circuit Power Flex (Specify Voltage) <b>FLX2</b> 6Ft. 2-Circuit Power Flex (Specify Voltage) <b>WL</b> UL "Suitable for Wet Locations" labeled. <b>HR</b> Heat Removal Housing

## LUMEN PACKAGE

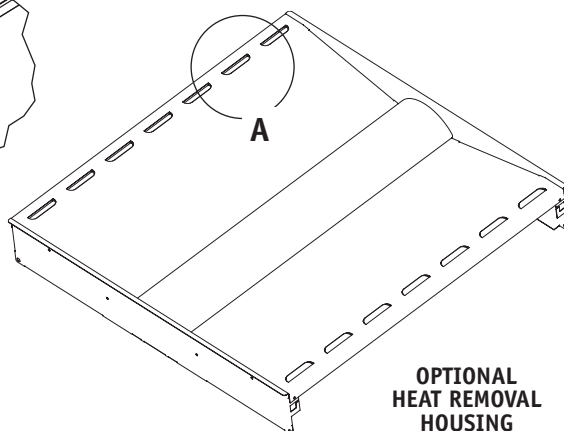
SERIES	MODULE SIZE	Nominal Lumen Package	Color	Fixture Power (W)	Delivered Lumens	Fixture LPW	IC Rated	Standby Lighting Option
KLR305	1X4							
		2600	3000K	19	2475	128	✓	✓
		2600	3500K	19	2555	132	✓	✓
		2600	4000K	19	2605	135	✓	✓
		2600	5000K	19	2635	137	✓	✓
		3200	3000K	24	3091	129	✓	✓
		3200	3500K	24	3191	134	✓	✓
		3200	4000K	24	3254	136	✓	✓
		3200	5000K	24	3291	138	✓	✓
		3700	3000K	28	3526	124	✓	✓
		3700	3500K	28	3640	128	✓	✓
		3700	4000K	28	3712	131	✓	✓
		3700	5000K	28	3755	132	✓	✓
		4000	3000K	30	3788	124	✓	✓
		4000	3500K	30	3910	128	✓	✓
		4000	4000K	30	3988	130	✓	✓
		4000	5000K	30	4034	132	✓	✓
		4600	3000K	35	4328	123	✓	✓
		4600	3500K	35	4468	127	✓	✓
		4600	4000K	35	4557	130	✓	✓
		4600	5000K	35	4610	131	✓	✓
		5000	3000K	39	4701	122	✓	✓
		5000	3500K	39	4854	126	✓	✓
		5000	4000K	39	4950	129	✓	✓
		5000	5000K	39	5009	130	✓	✓
		5700	3000K	51	5485	107	✓	✓
		5700	3500K	51	5600	110	✓	✓
		5700	4000K	51	5743	112	✓	✓
		5700	5000K	51	5770	113	✓	✓
		7800	3000K	75	7523	100	✓	✓
		7800	3500K	75	7680	101	✓	✓
		7800	4000K	75	7877	104	✓	✓
		7800	5000K	75	7917	105	✓	✓
		11,100	3000K	102	10,630	104	-	-
		11,100	3500K	102	10,962	107	-	-
		11,100	4000K	102	11,184	109	-	-
		11,100	5000K	102	11,294	110	-	-

Actual wattage may differ by +/- 5% when operating between 120V-277V +/- 10%.

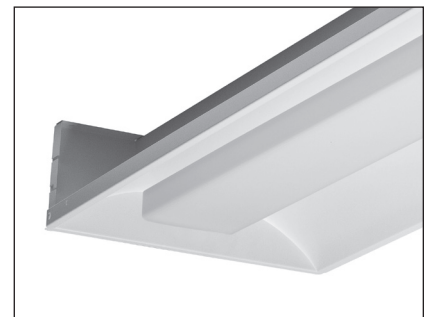
## PHOTOMETRICS:



DETAIL A



OPTIONAL HEAT REMOVAL HOUSING



Detail