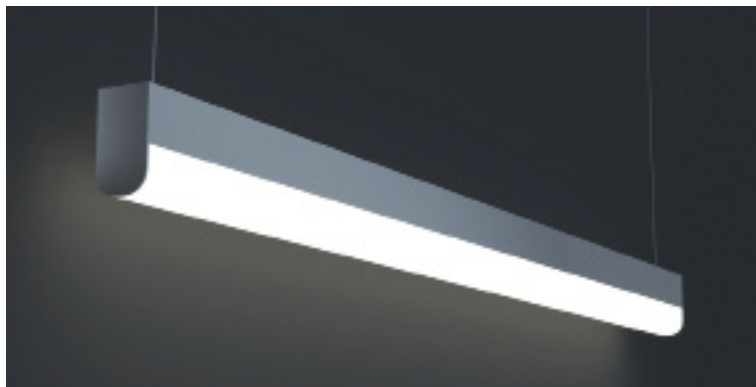


DATE	PROJECT	FIRM	TYPE
------	---------	------	------



Narrow, linear luminaire with round lens. For use in indoor applications where an LED luminaire with small profile providing continuous light is required. Suspended, surface or wall mount installation.

**FEATURES**

- Available In Custom Lengths & Long Runs To 1/16" Accuracy
- Rounded Diffuser
- Damp Location Rated
- CRI 90+ Standard
- 5 Year, 50,000 Hour Fixture Warranty
- 2700K, 3000K, 3500K, 4000K & 5000K Color Temperatures Available

**APPLICATIONS** Offices, Lobbies, Retail Stores, Classrooms, Reception Areas & Corridors

**CONSTRUCTION** Extruded Aluminum Housing, Steel End Caps, Formed Steel Gear Tray | **OPTICS** Rounded, Extruded High Transmission Satin Acrylic Lens With No LED Imaging

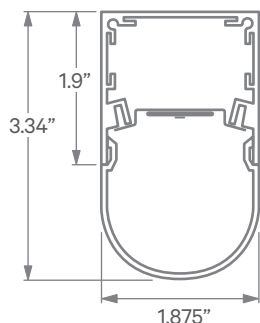
**WARRANTY** 5 Year Limited Warranty (Covers Standard Components) | **FINISH** Standard Powder-Coated White. Custom RAL Colors Available

**FIXTURE RATINGS & CERTIFICATIONS** Union Made ETL Listed | Made In The USA Damp Location Rated



**ELECTRICAL** Integral Driver With 0-10V 10% Dimming Standard. Several Driver Options Available. See Below For Lutron Dimming Information

**EXTRUSION DIMENSIONS**



**LED SYSTEM INFORMATION**

	Nominal System Watts	Nominal Delivered Lumens	Nominal Efficacy
Standard (LTG1)	7.25 W/ft	667 Lm/ft	92 Lm/W
Low (LTG2)	5 W/ft	470 Lm/ft	94 Lm/W
High (LTG3)	8.75 W/ft	790 Lm/ft	87 Lm/W

Based on a 3500K luminaire using one driver. Please consult factory for custom lumen outputs & wattage.

**ORDERING**

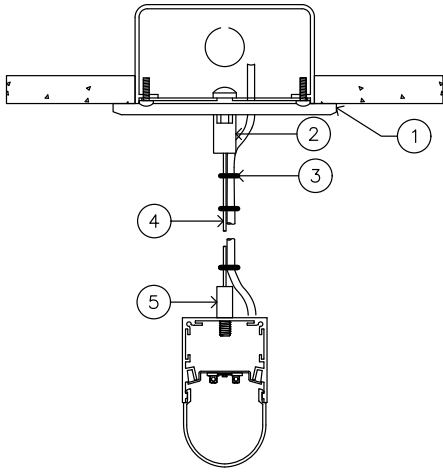
<b>1 - FIXTURE ID</b> KLS1 LED RD	<b>2 - LENGTH</b> 2 - 2 ft 4 - 4 ft 8 - 8 ft x'-x" - Custom (specify length) **Patterns available consult factory	<b>3 - COLOR TEMP</b> 27 - 2700K/90 CRI 30 - 3000K/90 CRI 35 - 3500K/90 CRI 40 - 4000K/90 CRI 50 - 5000K/90 CRI TW* - Tunable White RGBW* - RGB + 3000K *Must use DMX Driver (Remote)	<b>4 - LED SYSTEM</b> LTG1 - Standard LTG2 - Low LTG3 - High C - Custom Output (ie-C550Lm/ft)	<b>5 - VOLTAGE</b> UNV - Universal (120/277V)	<b>6 - DRIVER (Remote)</b> DB - Standard 10% Dimming (0-10V) DB1% - 1% Dimming (0-10V) DB.01% - .01% Dimming (0-10V) LTEA - Lutron 2-wire 1% Dimming L3DA - Lutron 3-wire 1% Dimming LDE1 - Lutron Digital EcoSystem LDE5 - 5 Series EcoSystem; 5% Dimming DMX - For Color Tuning and RGBW
<b>7 - FINISH</b> W - White (Standard) BLK - Black CC - Custom Color (provide RAL#)	<b>8 - MOUNTING</b> AC - Aircraft Cable (50") SM - Surface Mount WM - Wall Mount	<b>9 - OPTICS</b> SD - Standard Diffuser	<b>10 - CIRCUIT (Optional)</b> EM 120V - Emergency Pack EM 277V - Emergency Pack		

December 2018

DATE	PROJECT	FIRM	TYPE
------	---------	------	------

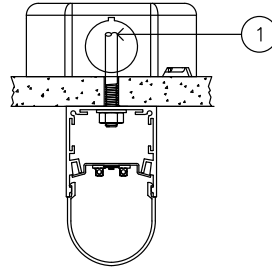
**MOUNTING OPTIONS**

AC - Air Craft Cable (50")



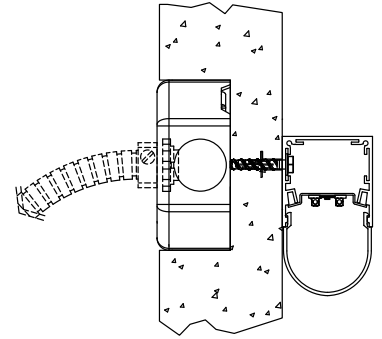
- 1 - 5" Round Canopy (Standard White Finish)
- 2 - Canopy Retainer
- 3 - SJT Cord (Standard White)
- 4 - Air Craft Cable
- 5 - Gripper

SM - Surface Mount



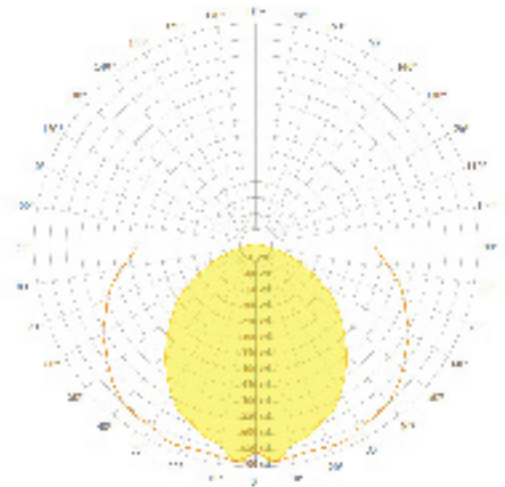
- 1 - Threaded Rod (not supplied)

WM - Wall Mount



DATE	PROJECT	FIRM	TYPE
------	---------	------	------

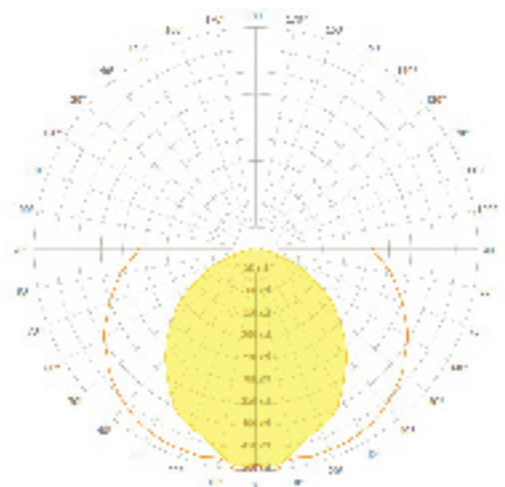
PHOTOMETRICS



**KLS1 LED RD 4FT LTG1 3500K**  
 DELIVERED LUMENS: 2,668Lm  
 TOTAL WATTS: 29W  
 EFFICACY: 92 Lumens/Watt

ZONAL LUMEN SUMMARY

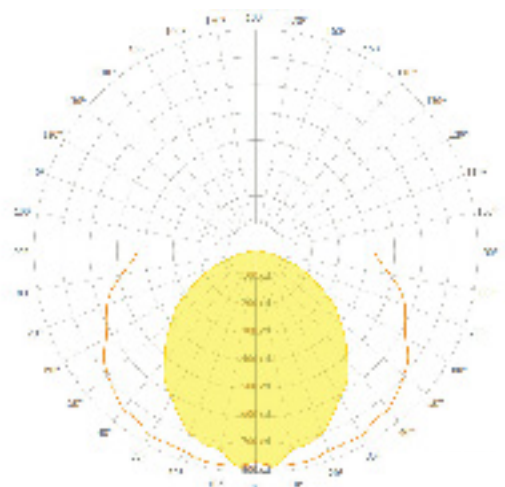
ZONE	LUMENS	% LAMP	% FIXTURE	
0.00 - 30.00	838.12	22.06		30.66
0.00 - 40.00	1346.95	35.46		49.27
0.00 - 60.00	2281.95	60.07		83.48
0.00 - 90.00	2733.54	71.96		100.00
90.00 - 120.00	0.08	0.00		0.00
90.00 - 150.00	0.08	0.00		0.00
90.00 - 180.00	0.08	0.00		0.00
0.00 - 180.00	2733.54	71.96		100.00



**KLS1 LED RD 4FT LTG2 3500K**  
 DELIVERED LUMENS: 1,891Lm  
 TOTAL WATTS: 20W  
 EFFICACY: 94 Lumens/Watt

ZONAL LUMEN SUMMARY

ZONE	LUMENS	% LAMP	% FIXTURE	0.00
- 30.00	383.51	14.24		20.28
0.00 - 40.00	641.46	23.82		33.92
0.00 - 60.00	1212.26	45.02		64.10
0.00 - 90.00	1891.27	70.23		100.00
90.00 - 120.00	42.68	1.58		2.26
90.00 - 150.00	42.68	1.58		2.26
90.00 - 180.00	42.68	1.58		2.26
0.00 - 180.00	1891.27	70.23		100.00



**KLS1 LED RD 4FT LTG3 3500K**  
 DELIVERED LUMENS: 3,056Lm  
 TOTAL WATTS: 35W  
 EFFICACY: 87 Lumens/Watt

ZONAL LUMEN SUMMARY

ZONE	LUMENS	% LAMP	% FIXTURE	0.00
- 30.00	616.81	14.17		20.18
0.00 - 40.00	1032.89	23.73		33.79
0.00 - 60.00	1957.39	44.96		64.03
0.00 - 90.00	3056.87	70.22		100.00
90.00 - 120.00	68.74	1.58		2.25
90.00 - 150.00	68.74	1.58		2.25
90.00 - 180.00	68.74	1.58		2.25
0.00 - 180.00	3056.87	70.22		100.00