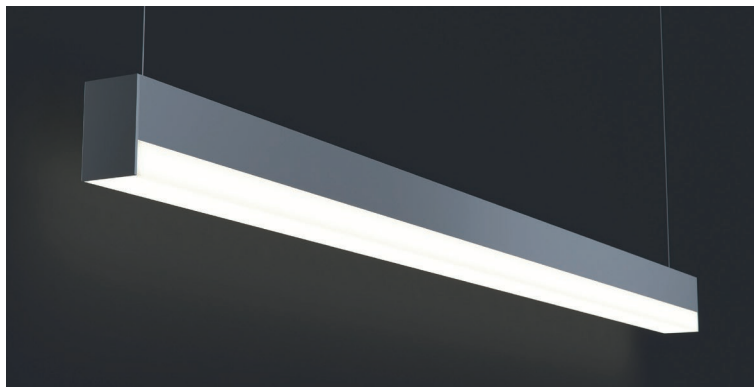


DATE	PROJECT	FIRM	TYPE
------	---------	------	------



Narrow, linear luminaire with square lens. For use in indoor applications where an LED luminaire with small profile providing continuous light is required. Suspended, surface or wall mount installation.

**FEATURES**

- Available In Custom Lengths & Long Runs To 1/16" Accuracy
- Square Diffuser
- Damp Location Rated
- CRI 90+ Standard
- 5 Year, 50,000 Hour Fixture Warranty
- 2700K, 3000K, 3500K, 4000K & 5000K Color Temperatures Available
- Enlighted/Wattstopper Sensors Available

**APPLICATIONS** Offices, Lobbies, Retail Stores, Classrooms, Reception Areas & Corridors

**CONSTRUCTION** Extruded Aluminum Housing, Steel End Caps, Formed Steel Gear Tray | **OPTICS** Square, Extruded High Transmission Satin Acrylic Lens With No LED Imaging

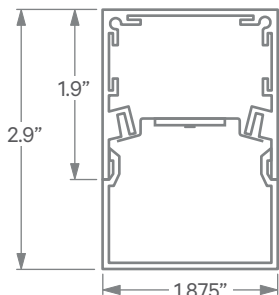
**WARRANTY** 5 Year Limited Warranty (Covers Standard Components) | **FINISH** Standard Powder-Coated White. Custom RAL Colors Available

**FIXTURE RATINGS & CERTIFICATIONS** Union Made ETL Listed | Made In The USA Damp Location Rated



**ELECTRICAL** Integral Driver With 0-10V 10% Dimming Standard. Several Driver Options Available. See Below For Lutron Dimming Information

**EXTRUSION DIMENSIONS**



**LED SYSTEM INFORMATION**

	Nominal System Watts	Nominal Delivered Lumens	Nominal Efficacy
Standard (LTG1)	7.25 W/ft	690 Lm/ft	95 Lm/W
Low (LTG2)	5 W/ft	475 Lm/ft	95 Lm/W
High (LTG3)	8.75 W/ft	795 Lm/ft	91 Lm/W

Based on a 3500K luminaire using one driver. Please consult factory for custom lumen outputs & wattage.

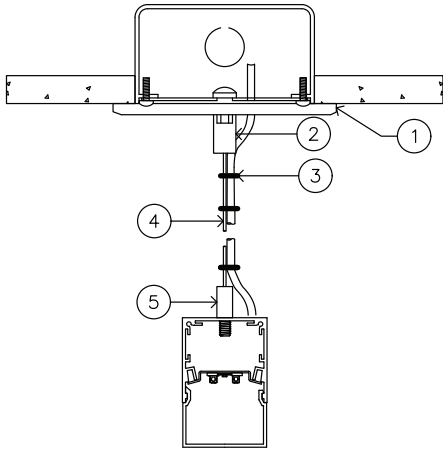
**ORDERING**

<b>1 - FIXTURE ID</b> KLS1 LED SQ	<b>2 - LENGTH</b> 2 - 2 ft 4 - 4 ft 8 - 8 ft x'-x" - Custom (specify length) **Patterns available consult factory	<b>3 - COLOR TEMP</b> 27 - 2700K/90 CRI 30 - 3000K/90 CRI 35 - 3500K/90 CRI 40 - 4000K/90 CRI 50 - 5000K/90 CRI TW* - Tunable White RGBW* - RGB + 3000K *Must use DMX Driver (Remote)	<b>4 - LED SYSTEM</b> LTG1 - Standard LTG2 - Low LTG3 - High C - Custom Output (ie-C550Lm/ft)	<b>5 - VOLTAGE</b> UNV - Universal (120/277V)	<b>6 - DRIVER (Remote)</b> DB - Standard 10% Dimming (0-10V) DB1% - 1% Dimming (0-10V) DB.01% - .01% Dimming (0-10V) LTEA - Lutron 2-wire 1% Dimming L3DA - Lutron 3-wire 1% Dimming LDE1 - Lutron Digital EcoSystem LDE5 - 5 Series EcoSystem; 5% Dimming DMX - For Color Tuning and RGBW
<b>7 - FINISH</b> W - White (Standard) BLK - Black CC - Custom Color (provide RAL#)	<b>8 - MOUNTING</b> AC - Aircraft Cable (50") SM - Surface Mount WM - Wall Mount	<b>9 - OPTICS</b> SD - Standard Diffuser	<b>10 - CONTROL (Optional)</b> EIS - Integral Sensor by Enlighted WIS - Integral Sensor by Wattstopper	<b>11 - CIRCUIT (Optional)</b> EM 120V - Emergency Pack EM 277V - Emergency Pack	

DATE	PROJECT	FIRM	TYPE
------	---------	------	------

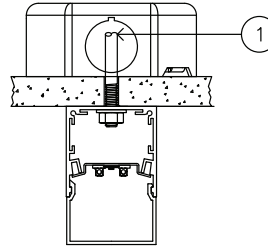
**MOUNTING OPTIONS**

AC - Air Craft Cable (50")



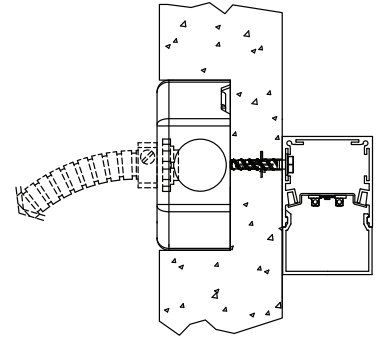
- 1 - 5" Round Canopy (Standard White Finish)
- 2 - Canopy Retainer
- 3 - SJT Cord (Standard White)
- 4 - Air Craft Cable
- 5 - Gripper

SM - Surface Mount



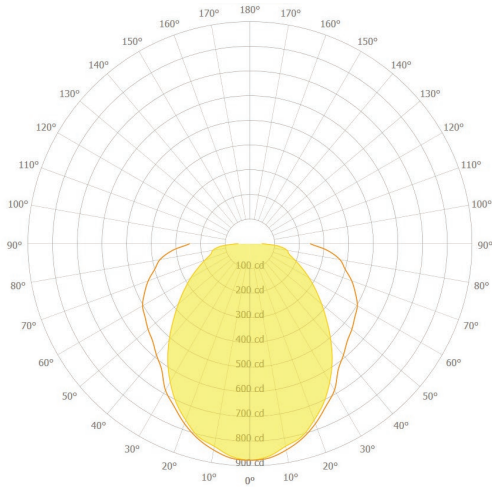
- 1 - Threaded Rod (not supplied)

WM - Wall Mount



DATE	PROJECT	FIRM	TYPE
------	---------	------	------

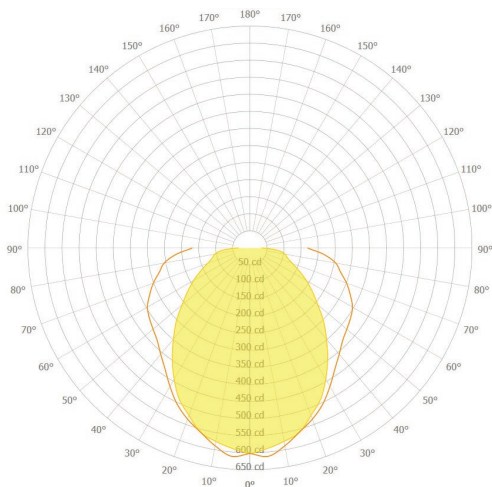
**PHOTOMETRICS**



**KLS1 LED SQ 4FT LTG1 3500K**  
 DELIVERED LUMENS: 2,691Lm  
 TOTAL WATTS: 29W  
 EFFICACY: 92 Lumens/Watt

**ZONAL LUMEN SUMMARY**

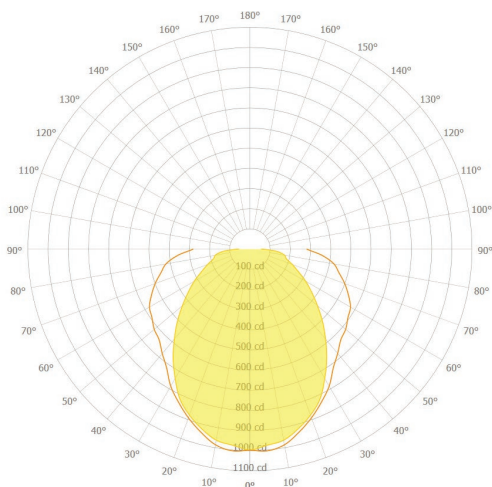
ZONE	LUMENS	% LAMP	% FIXTURE
0.00 - 30.00	649.27	17.09	24.13
0.00 - 40.00	1028.42	27.07	38.22
0.00 - 60.00	1794.55	47.24	66.68
0.00 - 90.00	2691.10	70.85	100.00
90.00 - 120.00	43.25	1.14	1.61
90.00 - 150.00	43.25	1.14	1.61
90.00 - 180.00	43.25	1.14	1.61
0.00 - 180.00	2691.10	70.85	100.00



**KLS1 LED SQ 4FT LTG2 3500K**  
 DELIVERED LUMENS: 1,849Lm  
 TOTAL WATTS: 20W  
 EFFICACY: 94 Lumens/Watt

**ZONAL LUMEN SUMMARY**

ZONE	LUMENS	% LAMP	% FIXTURE
- 30.00	446.38	17.09	24.13
0.00 - 40.00	707.08	27.07	38.22
0.00 - 60.00	1233.87	47.24	66.70
0.00 - 90.00	1849.82	70.82	100.00
90.00 - 120.00	29.86	1.14	1.61
90.00 - 150.00	29.86	1.14	1.61
90.00 - 180.00	29.86	1.14	1.61
0.00 - 180.00	1849.82	70.82	100.00



**KLS1 LED SQ 4FT LTG3 3500K**  
 DELIVERED LUMENS: 3,082Lm  
 TOTAL WATTS: 35W  
 EFFICACY: 87 Lumens/Watt

**ZONAL LUMEN SUMMARY**

ZONE	LUMENS	% LAMP	% FIXTURE
- 30.00	744.16	17.09	24.14
0.00 - 40.00	1178.43	27.07	38.23
0.00 - 60.00	2056.81	47.25	66.72
0.00 - 90.00	3082.55	70.81	100.00
90.00 - 120.00	49.76	1.14	1.61
90.00 - 150.00	49.76	1.14	1.61
90.00 - 180.00	49.76	1.14	1.61
0.00 - 180.00	3082.55	70.81	100.00