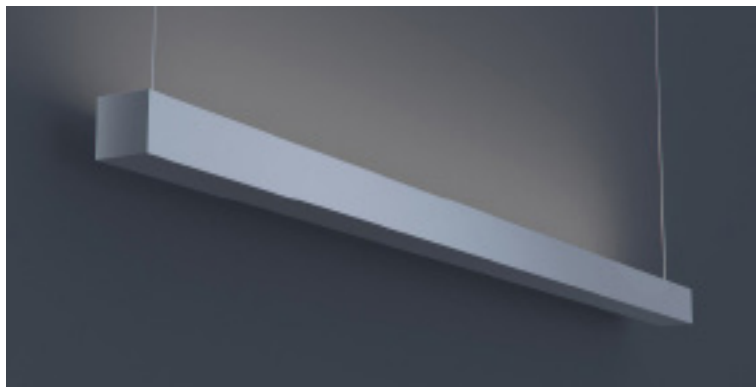


|      |         |      |      |
|------|---------|------|------|
| DATE | PROJECT | FIRM | TYPE |
|------|---------|------|------|



Narrow, linear luminaire with all uplight. For indoor applications where an LED luminaire with small profile providing continuous light is required. Suspended or wall mount installation.

**FEATURES**

- Available In Custom Lengths & Long Runs To 1/16" Accuracy
- Corners & Patterns Available (See Page 2)
- Damp Location Rated
- CRI 90+ Standard
- 5 Year, 50,000 Hour Fixture Warranty
- 2700K, 3000K, 3500K, 4000K & 5000K Color Temperatures Available
- Enlighted/Wattstopper Sensors Available

**APPLICATIONS** Offices, Lobbies, Retail Stores, Classrooms, Reception Areas & Corridors

**CONSTRUCTION** Extruded Aluminum Housing, Steel End Caps, Formed Steel Gear Tray | **OPTICS** Cast High Transmission Satin Acrylic Lens. Additional Optics Available

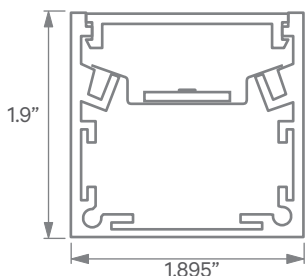
**WARRANTY** 5 Year Limited Warranty (Covers Standard Components) | **FINISH** Standard Powder-Coated White. Custom RAL Colors Available

**FIXTURE RATINGS & CERTIFICATIONS** Union Made ETL Listed | Made In The USA Damp Location Rated



**ELECTRICAL** Remote Driver With 0-10V 10% Dimming Standard. Several Driver Options Available. See Below For Lutron Dimming Information

**EXTRUSION DIMENSIONS**



**LED SYSTEM INFORMATION**

|                 | Nominal System Watts | Nominal Delivered Lumens | Nominal Efficacy |
|-----------------|----------------------|--------------------------|------------------|
| Standard (LTG1) | 7.25 W/ft            | 600 Lm/ft                | 87 Lm/W          |
| Low (LTG2)      | 5 W/ft               | 456 Lm/ft                | 92 Lm/W          |
| High (LTG3)     | 10 W/ft              | 827 Lm/ft                | 85 Lm/W          |

Based on a 3500K luminaire using one driver. Please consult factory for custom lumen outputs & wattage.

**ORDERING**

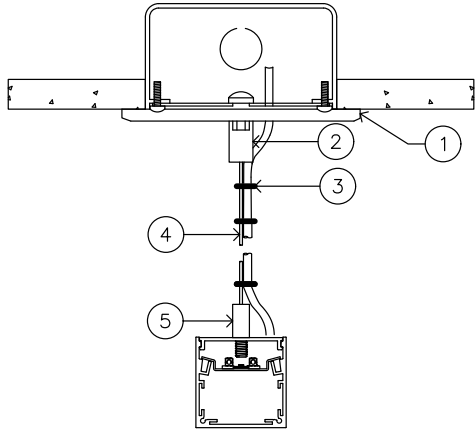
|                                                                                              |                                                                                                                                  |                                                                                                                                                                                                               |                                                                                                              |                                                                                        |                                                                                                                                                                                                                                                                                                                    |
|----------------------------------------------------------------------------------------------|----------------------------------------------------------------------------------------------------------------------------------|---------------------------------------------------------------------------------------------------------------------------------------------------------------------------------------------------------------|--------------------------------------------------------------------------------------------------------------|----------------------------------------------------------------------------------------|--------------------------------------------------------------------------------------------------------------------------------------------------------------------------------------------------------------------------------------------------------------------------------------------------------------------|
| <b>1 - FIXTURE ID</b><br>KLS1 LED UP                                                         | <b>2 - LENGTH</b><br>2 - 2 ft<br>4 - 4 ft<br>8 - 8 ft<br>x'-x" - Custom (specify length)<br>**Patterns available consult factory | <b>3 - COLOR TEMP</b><br>27 - 2700K/90 CRI<br>30 - 3000K/90 CRI<br>35 - 3500K/90 CRI<br>40 - 4000K/90 CRI<br>50 - 5000K/90 CRI<br>TW* - Tunable White<br>RGBW* - RGB + 3000K<br>*Must use DMX Driver (Remote) | <b>4 - LED SYSTEM</b><br>LTG1 - Standard<br>LTG2 - Low<br>LTG3 - High<br>C - Custom Output (ie-C550Lm/ft)    | <b>5 - VOLTAGE</b><br>UNV - Universal (120/277V)                                       | <b>6 - DRIVER (Remote)</b><br>DB - Standard 10% Dimming (0-10V)<br>DB1% - 1% Dimming (0-10V)<br>DB.01% - .01% Dimming (0-10V)<br>LTEA - Lutron 2-wire 1% Dimming<br>L3DA - Lutron 3-wire 1% Dimming<br>LDE1 - Lutron Digital EcoSystem<br>LDE5 - 5 Series EcoSystem; 5% Dimming<br>DMX - For Color Tuning and RGBW |
| <b>7 - FINISH</b><br>W - White (Standard)<br>BLK - Black<br>CC - Custom Color (provide RAL#) | <b>8 - MOUNTING</b><br>AC - Aircraft Cable (50")<br>WM - Wall Mount                                                              | <b>9 - OPTICS</b><br>SD - Standard Diffuser<br>BW - Batwing Optic<br>ASYM - Asymmetric Optic                                                                                                                  | <b>10 - CONTROL (Optional)</b><br>EIS - Integral Sensor by Enlighted<br>WIS - Integral Sensor by Wattstopper | <b>11 - CIRCUIT (Optional)</b><br>EM 120V - Emergency Pack<br>EM 277V - Emergency Pack |                                                                                                                                                                                                                                                                                                                    |

December 2018

|      |         |      |      |
|------|---------|------|------|
| DATE | PROJECT | FIRM | TYPE |
|------|---------|------|------|

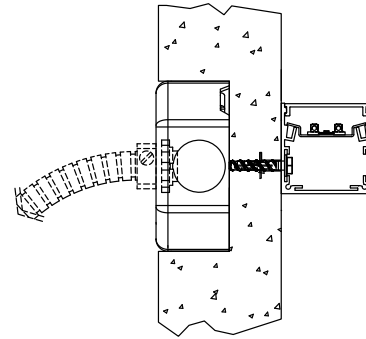
**MOUNTING OPTIONS**

AC - Air Craft Cable (50")



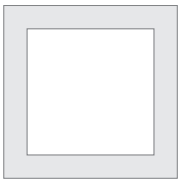
- 1 - 5" Round Canopy (Standard White Finish)
- 2 - Canopy Retainer
- 3 - S-JT Cord (Standard White)
- 4 - Air Craft Cable
- 5 - Gripper

WM - Wall Mount

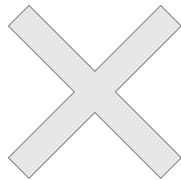


**CORNERS & PATTERNS**

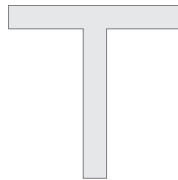
Available with illuminated corners, angles, and custom patterns. **Must consult factory for custom corners, patterns and elevations.**



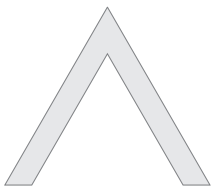
Square Patterns



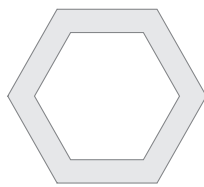
X Patterns



T Patterns



Custom Angles



Custom Patterns



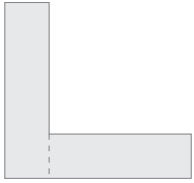
Custom Elevations

---

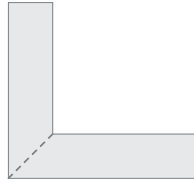
|      |         |      |      |
|------|---------|------|------|
| DATE | PROJECT | FIRM | TYPE |
|------|---------|------|------|

---

**LENS CUT OPTIONS**



Straight-cut



Mitered Angle

NOTE: Straight-Cut is standard configuration, Mitered Angle is optional and must be specified.