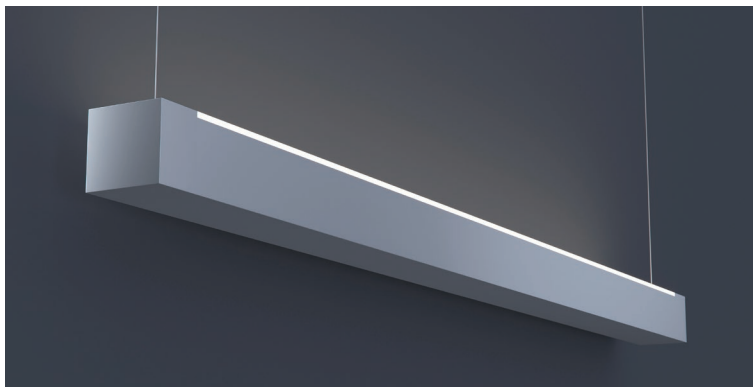


DATE	PROJECT	FIRM	TYPE
------	---------	------	------



Narrow, linear luminaire with all uplight. For use in indoor applications where an LED luminaire with small profile providing continuous light is required. Suspended or wall mount installation. Patterns and corners available.

**FEATURES**

- Available In Custom Lengths & Long Runs To 1/16" Accuracy
- Corners & Patterns Available (See Page 2)
- Damp Location Rated
- CRI 90+ Standard
- 2700K, 3000K, 3500K, 4000K & 5000K Color Temperatures Available
- Enlighted/Wattstopper Sensors Available

**APPLICATIONS** Offices, Lobbies, Retail Stores, Classrooms, Reception Areas & Corridors

**CONSTRUCTION** Extruded Aluminum Housing, Steel End Caps, Formed Steel Gear Tray | **OPTICS** Extruded High Transmission Satin Acrylic Lens. Additional Optics Available

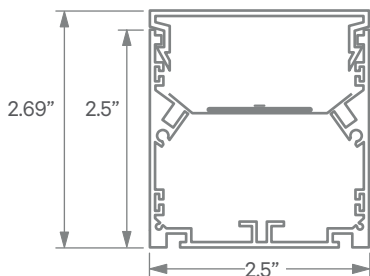
**WARRANTY** 5 Year Limited Warranty (Covers Standard Components) | **FINISH** Standard Powder-Coated White. Custom RAL Colors Available

**FIXTURE RATINGS & CERTIFICATIONS** Union Made ETL Listed | Made In The USA Damp Location Rated



**ELECTRICAL** Integral Driver With 0-10V 10% Dimming Standard. Several Driver Options Available. See Below For Lutron Dimming Information

**EXTRUSION DIMENSIONS**



**LED SYSTEM INFORMATION**

	Nominal System Watts	Nominal Delivered Lumens	Nominal Efficacy
Standard (LTG1)	7.25 W/ft	690 Lm/ft	95 Lm/W
Low (LTG2)	5 W/ft	475 Lm/ft	95 Lm/W
High (LTG3)	8.75 W/ft	790 Lm/ft	90 Lm/W

Based on a 3500K luminaire using one driver. Please consult factory for custom lumen outputs & wattage.

**ORDERING**

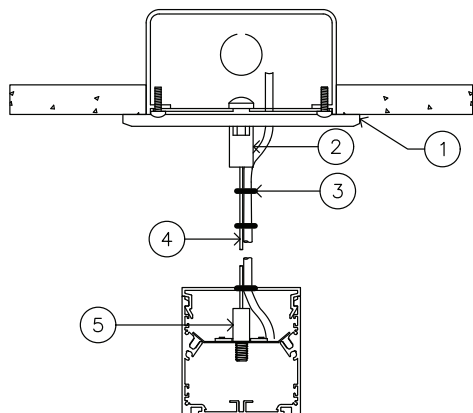
<b>1 - FIXTURE ID</b> KLS2 LED UP	<b>2 - LENGTH</b> 2 - 2 ft 4 - 4 ft 8 - 8 ft x'-x" - Custom (specify length)  **Patterns available consult factory	<b>3 - COLOR TEMP</b> 27 - 2700K/90 CRI 30 - 3000K/90 CRI 35 - 3500K/90 CRI 40 - 4000K/90 CRI 50 - 5000K/90 CRI TW* - Tunable White RGBW* - RGB + 3000K  *Must use DMX Driver (Remote)	<b>4 - LED SYSTEM</b> LTG1 - Standard LTG2 - Low LTG3 - High C - Custom Output (ie-C550Lm/ft)	<b>5 - VOLTAGE</b> UNV - Universal (120/277V)	<b>6 - DRIVER</b> DB - Standard 10% Dimming (0-10V) DB1% - 1% Dimming (0-10V) DB.01% - .01% Dimming (0-10V) LTEA - Lutron 2-wire 1% Dimming LDE1 - Lutron Digital EcoSystem LDE5 - 5 Series EcoSystem; 5% Dimming DMX - For Color Tuning and RGBW (Remote mounted)
<b>7 - FINISH</b> W - White (Standard) CC - Custom Color (provide RAL#)	<b>8 - MOUNTING</b> AC - Aircraft Cable SM - Surface Mount	<b>9 - OPTICS</b> SD - Standard Diffuser FL - Flat/Flush Lens	<b>10 - CONTROL (Optional)</b> EIS - Integral Sensor by Enlighted WIS - Integral Sensor by Wattstopper	<b>11 - CIRCUIT (Optional)</b> EM 120V - Emergency Pack EM 277V - Emergency Pack	

December 2018

DATE	PROJECT	FIRM	TYPE
------	---------	------	------

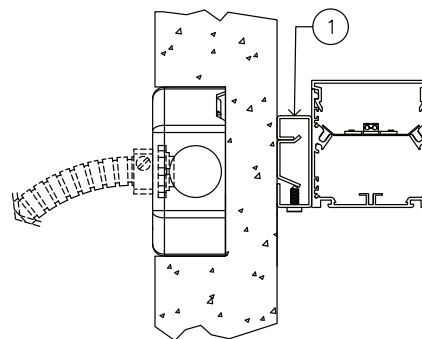
**MOUNTING OPTIONS**

AC - Air Craft Cable (50")



- 1 - 5" Round Canopy (Standard White Finish)
- 2 - Canopy Retainer
- 3 - SJT Cord (Standard White)
- 4 - Air Craft Cable
- 5 - Gripper

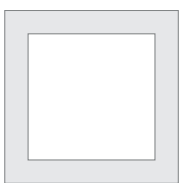
WM - Wall Mount



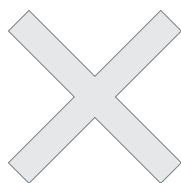
- 1 - 0.75" Wall Mount Bracket

**CORNERS & PATTERNS**

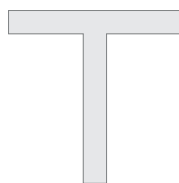
Available with illuminated corners, angles, and custom patterns. **Must consult factory for custom corners, patterns and elevations.**



Square Patterns



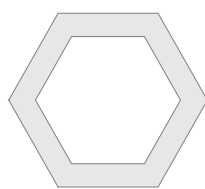
X Patterns



T Patterns



Custom Angles



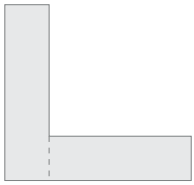
Custom Patterns



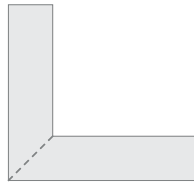
Custom Elevations  
(Flat Lens Only)

DATE	PROJECT	FIRM	TYPE
------	---------	------	------

**LENS CUT OPTIONS**



Straight-cut

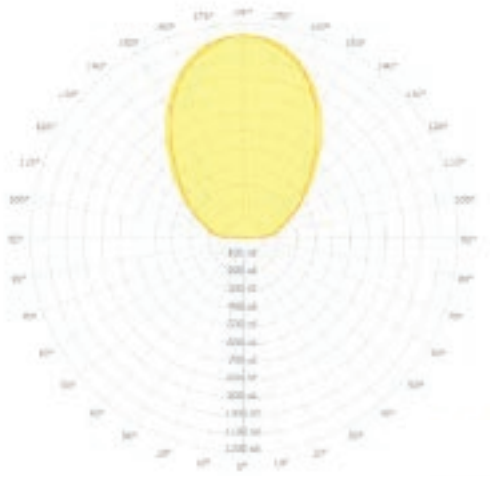


Mitered Angle

NOTE: Straight-Cut is standard configuration, Mitered Angle is optional and must be specified.

DATE	PROJECT	FIRM	TYPE
------	---------	------	------

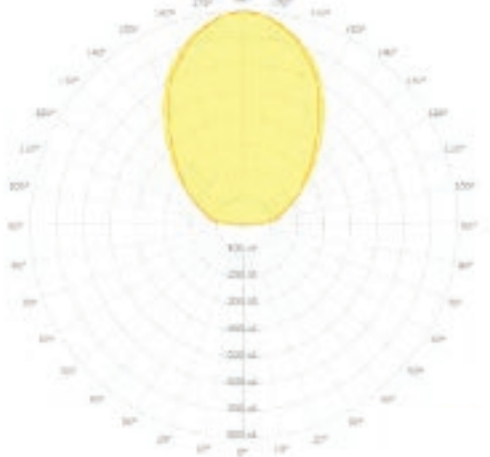
PHOTOMETRICS



**KLS2 LED UP 4FT LTG1 3500K**  
 DELIVERED LUMENS: 2,759Lm  
 TOTAL WATTS: 29W  
 EFFICACY: 95 Lumens/Watt

ZONAL LUMEN SUMMARY

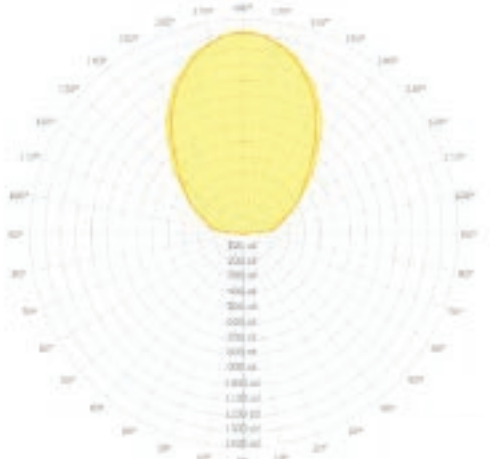
ZONE	LUMENS	% LAMP	% FIXTURE
0.00 - 30.00	0.02	0.00	0.00
0.00 - 40.00	0.43	0.01	0.02
0.00 - 60.00	5.15	0.14	0.19
0.00 - 90.00	32.74	0.86	1.19
90.00 - 120.00	642.35	16.91	23.27
90.00 - 150.00	1897.73	49.96	68.76
90.00 - 180.00	2727.15	71.80	98.81
0.00 - 180.00	2759.89	72.66	100.00



**KLS2 LED UP 4FT LTG2 3500K**  
 DELIVERED LUMENS: 1,898Lm  
 TOTAL WATTS: 20W  
 EFFICACY: 95 Lumens/Watt

ZONAL LUMEN SUMMARY

ZONE	LUMENS	% LAMP	% FIXTURE
0.00 - 30.00	0.02	0.00	0.00
0.00 - 40.00	0.29	0.01	0.02
0.00 - 60.00	3.54	0.14	0.19
0.00 - 90.00	22.60	0.87	1.19
90.00 - 120.00	442.26	16.93	23.30
90.00 - 150.00	1305.34	49.97	68.76
90.00 - 180.00	1875.78	71.81	98.81
0.00 - 180.00	1898.38	72.68	100.00



**KLS2 LED UP 4FT LTG3 3500K**  
 DELIVERED LUMENS: 3,163Lm  
 TOTAL WATTS: 35W  
 EFFICACY: 90 Lumens/Watt

ZONAL LUMEN SUMMARY

ZONE	LUMENS	% LAMP	% FIXTURE
0.00 - 30.00	0.03	0.00	0.00
0.00 - 40.00	0.47	0.01	0.01
0.00 - 60.00	5.90	0.14	0.19
0.00 - 90.00	37.52	0.86	1.19
90.00 - 120.00	736.49	16.92	23.28
90.00 - 150.00	2176.40	49.99	68.79
90.00 - 180.00	3126.20	71.81	98.81
0.00 - 180.00	3163.72	72.67	100.00