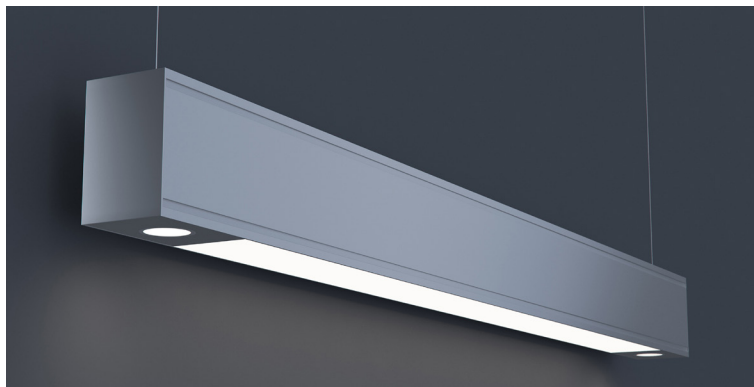


DATE	PROJECT	FIRM	TYPE
------	---------	------	------



Linear, architectural luminaire with accent downlighting. Suspended, surface or wall mounted installation. For custom mounting consult factory.

**FEATURES**

- Available In Custom Lengths & Long Runs To 1/16" Accuracy
- Corners & Patterns Available (See Page 2)
- Damp Location Rated
- CRI 90+ Standard
- 5 Year, 50,000 Hour Fixture Warranty
- 2700K, 3000K, 3500K, 4000K & 5000K Color Temperatures Available
- Enlighted/Wattstopper Sensors Available

**APPLICATIONS** Offices, Lobbies, Retail Stores, Classrooms, Reception Areas & Corridors

**CONSTRUCTION** Extruded Aluminum Housing, Cast Steel End Caps, Formed Steel Gear Tray | **OPTICS** Extruded High Transmission Satin Acrylic Lens With No LED Imaging. Accent Lighting Varies (See Page 3)

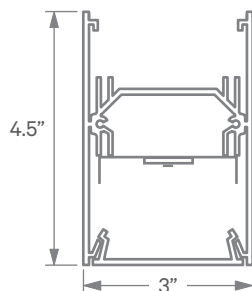
**WARRANTY** 5 Year Limited Warranty (Covers Standard Components) | **FINISH** Standard Powder-Coated White. Custom RAL Colors Available

**FIXTURE RATINGS & CERTIFICATIONS** Union Made ETL Listed | Made In The USA Damp Location Rated



**ELECTRICAL** Integral Driver With 0-10V 10% Dimming Standard. Several Driver Options Available. See Below For Lutron Dimming Information

**EXTRUSION DIMENSIONS**



**LED SYSTEM INFORMATION**

	Nominal System Watts	Nominal Delivered Lumens	Nominal Efficacy
Standard (LTG1)	40 W	3,160 Lm/ft	79 Lm/W
Low (LTG2)	33 W	2,650 Lm/ft	80 Lm/W
High (LTG3)	48 W	3,675 Lm/ft	77 Lm/W

Based on a 4ft, 3500K luminaire using one driver and (2) standard 10° MR16 lamps. Output varies depending on beam spread. Additional photometric information available. Please consult factory for custom lumen outputs & wattage.

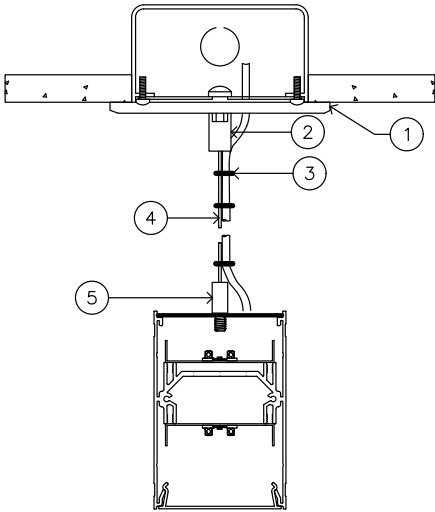
**ORDERING**

<b>1 - FIXTURE ID</b> KLS3 LED MR	<b>2 - LENGTH</b> 2 - 2 ft 4 - 4 ft 8 - 8 ft x'-x" - Custom (specify length)  **Patterns available consult factory	<b>3 - COLOR TEMP</b> 27 - 2700K/90 CRI 30 - 3000K/90 CRI 35 - 3500K/90 CRI 40 - 4000K/90 CRI 50 - 5000K/90 CRI TW* - Tunable White RGBW* - RGB + 3000K  *Must use DMX Driver (Remote)	<b>4 - LED SYSTEM</b> LTG1 - Standard LTG2 - Low LTG3 - High C - Custom Output (ie-C550Lm/ft)	<b>5 - VOLTAGE</b> UNV - Universal (120/277V)	<b>6 - DRIVER (Remote)</b> DB - Standard 10% Dimming (0-10V) DB1% - 1% Dimming (0-10V) DB.01% - .01% Dimming (0-10V) L3DA - Lutron 3-wire 1% Dimming LDE1 - Lutron Digital EcoSystem LDE5 - 5 Series EcoSystem; 5% Dimming DMX - For Color Tuning and RGBW (Remote mounted)	<b>7 - FINISH</b> W - White (Standard) CC - Custom Color (provide RAL#)
<b>8 - MOUNTING</b> AC - Aircraft Cable (50" Standard) SM - Surface Mount WM - Wall Mount	<b>9 - OPTICS</b> SD - Standard Diffuser BW - Batwing Optic ASYM - Asymmetric	<b>10 - CONTROL (Optional)</b> EIS - Integral Sensor by Enlighted WIS - Integral Sensor by Wattstopper	<b>11 - CIRCUIT (Optional)</b> WW - Wall Wash Reflector EM 120V - Emergency Pack EM 277V - Emergency Pack	<b>12 - ACCENT LIGHTING (see Page 3)</b> 10° STD - 10° Standard 25° CRC - 25° Circular 36° CRC - 36° Circular 60° CRC - 60° Circular 60° LNR - 10° x 60° Linear HEX - Hexcell Louver (Can add to any beam spread)		

DATE | PROJECT | FIRM | TYPE

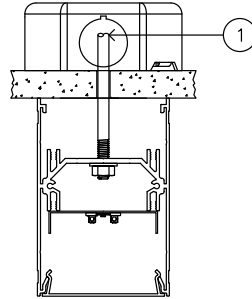
**MOUNTING OPTIONS**

AC - Air Craft Cable (50")



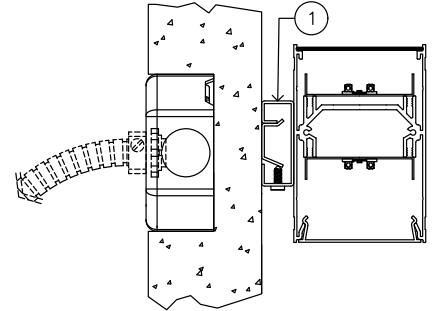
- 1 - 5" Round Canopy (Standard White Finish)
- 2 - Canopy Retainer
- 3 - SJT Cord (Standard White)
- 4 - Air Craft Cable
- 5 - Gripper

SM - Surface Mount



- 1 - Threaded Rod (not supplied)

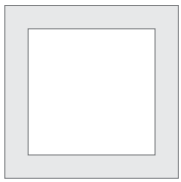
WM - Wall Mount



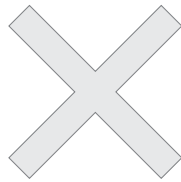
- 1 - 0.75" Wall Mount Bracket

**CORNERS & PATTERNS**

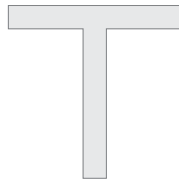
Available with illuminated corners, angles, and custom patterns. **Must consult factory for custom corners and patterns.**



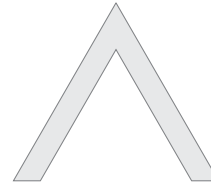
Square Patterns



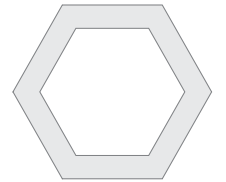
X Patterns



T Patterns



Custom Angles

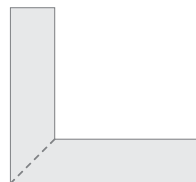


Custom Patterns

**LENS CUT OPTIONS**



Straight-cut



Mitered Angle

NOTE: Straight-Cut is standard configuration, Mitered Angle is optional and must be specified.

DATE	PROJECT	FIRM	TYPE
------	---------	------	------

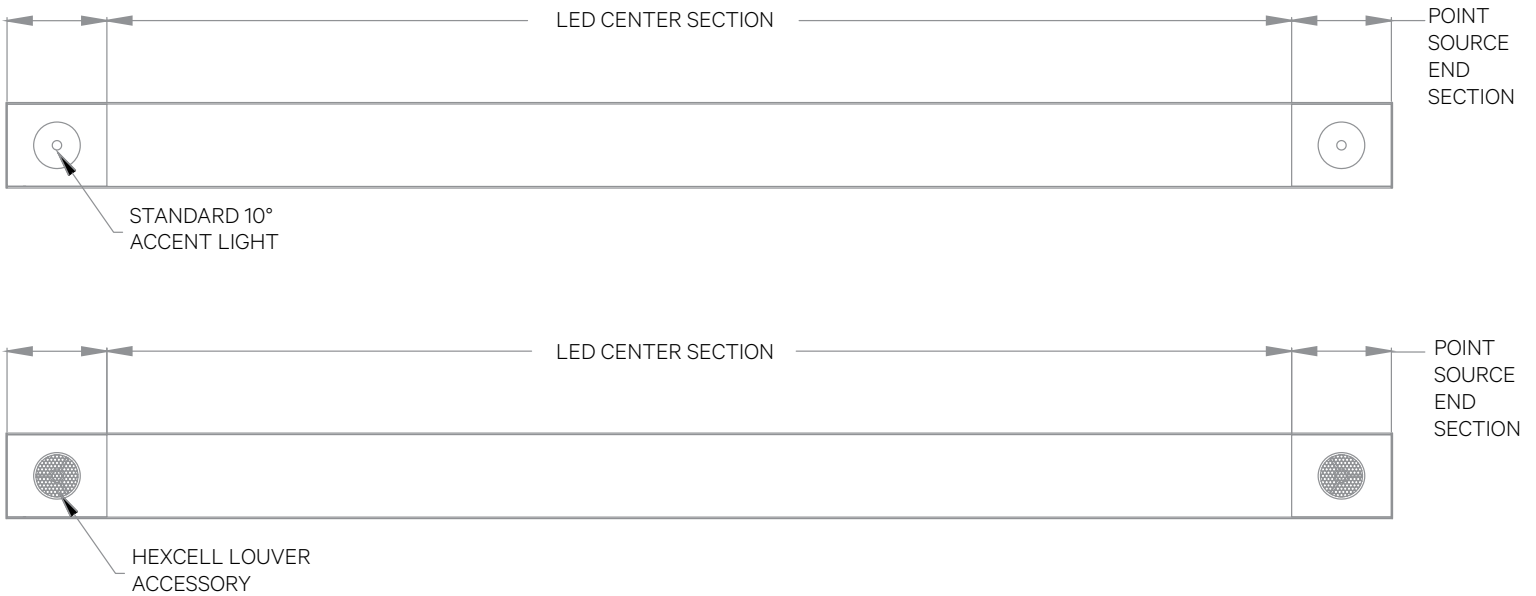
**ACCENT DOWNLIGHT INFORMATION**

SORAA MR16, 95CRI lamps provided with optional filters for flexible beam spread. Please note that when choosing 3500k color temperature a 4000k lamp with color correcting filter will be supplied.

**OPTIONAL BEAM SPREADS AND FILTERS**

- 10° Standard Lens
- 25° Circular Beam Spread\*
- 36° Circular Beam Spread\*
- 60° Circular Beam Spread\*
- 10° x 60° Linear Beam Spread\*
- Hexcell Louver for Reduced Glare (can be added to any beam spread)\*

\*Standard 10° SORAA lamp supplied with specially designed snap-in filter to create requested beam spread.



Please Note: On an individual fixture accent lights are placed on either end of the unit. For continuous runs, accent lights are placed every 8 feet. Consult Factory for alternative placement. Fixture must be a minimum of 4 feet.