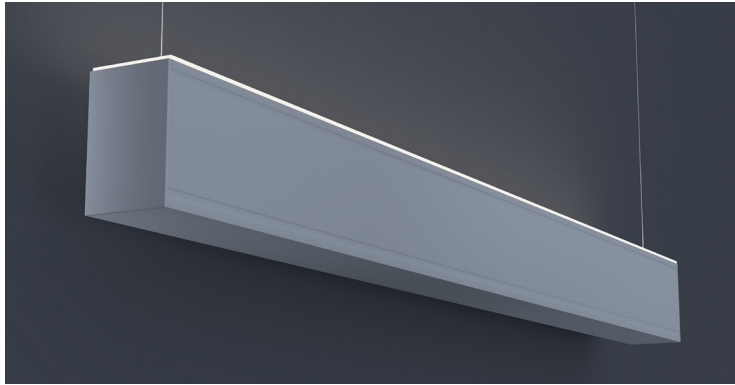




DATE	PROJECT	FIRM	TYPE
------	---------	------	------



Indirect architectural luminaire with subtle reveal. For use in indoor applications where an LED luminaire providing continuous light is required. Suitable for suspended and wall mount installation.

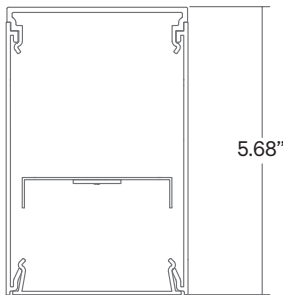
FEATURES

- Available In Custom Lengths & Long Runs To 1/16" Accuracy
- Corners & Patterns Available (See Page 2)
- Damp Location Rated
- CRI 90+ Standard
- 5 Year, 50,000 Hour Fixture Warranty
- 2700K, 3000K, 3500K, and 4000K Color Temperatures Available

APPLICATIONS	Offices, Lobbies, Retail Stores, Classrooms, Reception Areas & Corridors		
CONSTRUCTION	Extruded Aluminum Housing And Cast End Caps. Formed Steel Gear Tray	OPTICS	Extruded High Transmission Satin Acrylic Lens With No LED Imaging.
WARRANTY	5 Year Limited Warranty (Covers Standard Components)	FINISH	Standard Powder-Coated White. Custom RAL Colors Available
FIXTURE RATINGS & CERTIFICATIONS	Union Made ETL Listed	Made In The USA Damp Location Rated	 

ELECTRICAL Integral Driver With 0-10V 10% Dimming Standard. Several Driver Options Available.

EXTRUSION DIMENSIONS



LED SYSTEM INFORMATION

	Nominal System Watts	Nominal Delivered Lumens	Nominal Efficacy
	INDIRECT	INDIRECT	
Standard (LTG1)	7.25 W/ft	660 Lm/ft	87 Lm/W
Low (LTG2)	5 W/ft	455 Lm/ft	88 Lm/W
High (LTG3)	8.75 W/ft	760 Lm/ft	81 Lm/W

Based on a 3500K luminaire using one driver. Please consult factory for custom lumen outputs & wattage.

ORDERING

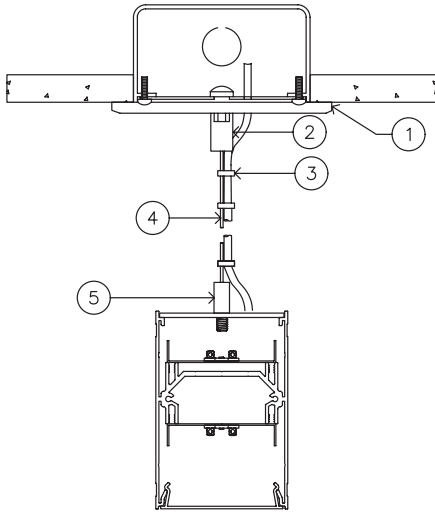


1 - FIXTURE ID KLS3 LED POL UP	2 - LENGTH 2 - 2 ft 4 - 4 ft 8 - 8 ft x'-x" - Custom (specify length) **Patterns available consult factory	3 - COLOR TEMP 27 - 2700K/90 CRI 30 - 3000K/90 CRI 35 - 3500K/90 CRI 40 - 4000K/90 CRI TW* - Tunable White RGBW** - RGB+3000K *Must use DMX or TW10 Driver **Must use DMX Driver (Remote)	4 - LED SYSTEM LTG1 - Standard LTG2 - Low LTG3 - High C - Custom Output (ie-C550Lm/ft)	5 - VOLTAGE UNV - Universal (120/277V)	6 - DRIVER DB - Standard 10% Dimming (0-10V) DB1% - 1% Dimming (0-10V) DB.01% - .01% Dimming (0-10V) L3DA - Lutron 3-wire 1% Dimming LDE1 - Lutron Digital EcoSystem LDE5 - 5 Series EcoSystem; 5% Dimming DMX - For Color Tuning and RGBW (Remote) TW10 - Tunable White 0-10V (Remote)
7 - FINISH W - White (Standard) BLK - Black CC - Custom Color (provide RAL#)	8 - MOUNTING AC - Aircraft Cable (50") SM - Surface Mount WM - Wall Mount	9 - OPTICS POL - Pop Out Lens (.25")	10 - CIRCUIT (Optional) EM 120V - Emergency Pack EM 277V - Emergency Pack		

DATE | PROJECT | FIRM | TYPE

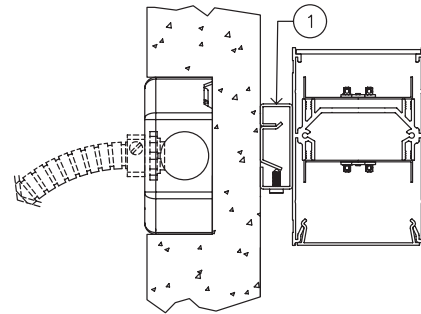
MOUNTING OPTIONS

AC - Air Craft Cable (50")



- 1 - 5" Round Canopy (Standard White Finish)
- 2 - Canopy Retainer
- 3 - SJT Cord (Standard White)
- 4 - Air Craft Cable
- 5 - Gripper
- 6 - Hanging Bracket

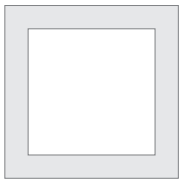
WM - Wall Mount



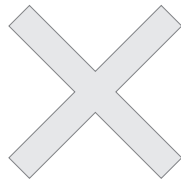
- 1 - 0.75" Wall Mount Bracket

CORNERS & PATTERNS

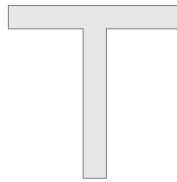
Available with illuminated corners, angles, and custom patterns. **Must consult factory for custom corners and patterns.**



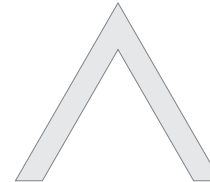
Square Patterns



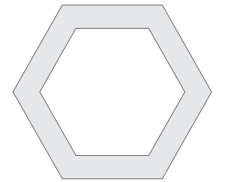
X Patterns



T Patterns



Custom Angles

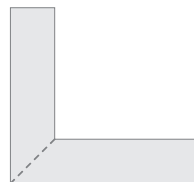


Custom Patterns

LENS CUT OPTIONS



Straight-cut



Mitered Angle

NOTE: Straight-Cut is standard configuration, Mitered Angle is optional and must be specified.