

PROJECT: _____

TYPE: _____

NOTES: _____



KRD LED 3FT

Round architectural luminaire with 3ft diameter. For use in indoor applications where an LED luminaire is required; great for lobbies and corridors. Suitable for tee-grid and drywall installation.



Features

- Glare-free lighting
- Available in custom lengths and long runs
- Corners and Patterns Available
- Damp Location Rated
- CRI Value: 80+; available in 90+
- 5 year, 50,000 hour lamp life Warranty
- 2700k, 3000k, 3500k, 4000k, and 5000k color temperatures available

Applications

- Offices
- Lobbies
- Retail Stores
- Classrooms
- Reception Areas
- Corridors

Details

Construction: Heavy gauge, cold rolled steel housing. Spun steel trim.

Optics: .125" thick concave opal lens.

Electrical: Integral driver with dimming. Several driver options available. See below for Lutron Dimming information:

- LTEA**=2-wire forward phase; Hi-lume 1% Dimming, only available for 120V.
- L3DA**=3-wire EcoSystem; Hi-lume 1% Dimming
- LDE1**=Digital EcoSystem; Hi-lume 1% Dimming, 'soft-on fade-to-black' (Required for Daylighting)
- LDE5**=5 Series EcoSystem; 5% Dimming.

Warranty: 5 year limited warranty; covers standard components.

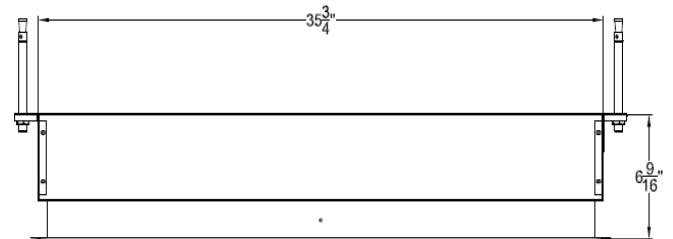
Approvals: Union made, ETL listed, and manufactured in the US. Rated for Damp Location.

LED System Information

	Nominal System Watts	Nominal Delivered Lumens	Nominal Efficacy
Standard (LTG1)	82W	6,840Lm	83Lm/W
Low (LTG2)	76W	6,385Lm	84Lm/W
High (LTG3)	96W	7,830Lm	81Lm/W

Please Note: Standard CRI is 80+, must specify for requests over 90. Outputs reflected in chart based on 4000K color temperature. For custom LED package requests consult factory; wattages vary based on specified output. Additional photometric information available.

Extrusion Dimensions



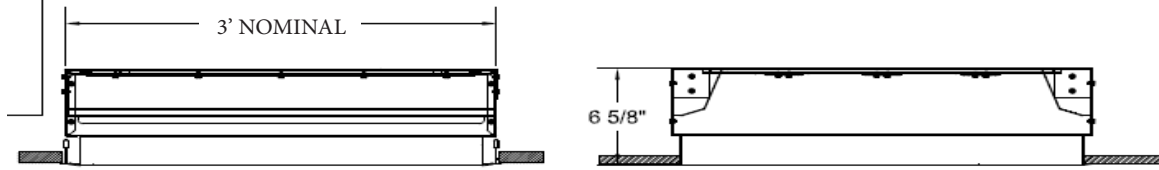
Ordering Information

Series	Size	LED System	Color Temp	Voltage	Mounting	Driver	Options
KRD LED	3FT	LTG1- Standard	2700K	120	T- 9/16" Tee Grid	DB- Standard 10% Dimming (0-10V)	EM-Emergency Pack
		LTG2- Low	3000K	277	SR- Sheetrock	DB1%-1% Dimming (0-10V)	WH-Whips
		LTG3- High	3500K	UNV		DB0.1%-0.1% Dimming (0-10V)	EIS- Integral Sensor by Enlighted
		C- Custom Output (ie-C3500Lm)	4000K			LTEA*-Lutron 2-wire 1% Dimming	WIS- Integral Sensor by Wattstopper
			5000K			L3DA*-Lutron 3-wire 1% Dimming	90CRI- CRI of 90+
						LDE1*-Lutron Digital EcoSystem	
						LDE5*-5 Series EcoSystem; 5% Dimming	

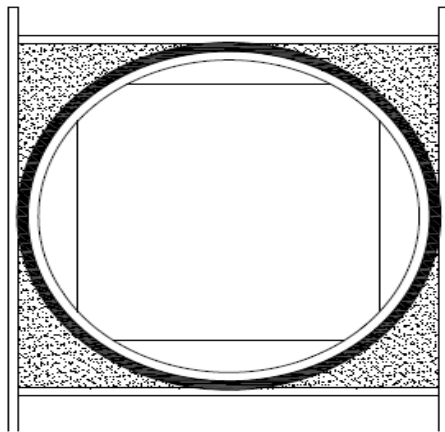
*Refer to 'Electrical' Information Above

Ordering Example: KRD LED-3FT-LTG1-4000K-UNV-NT-LTEA-EM

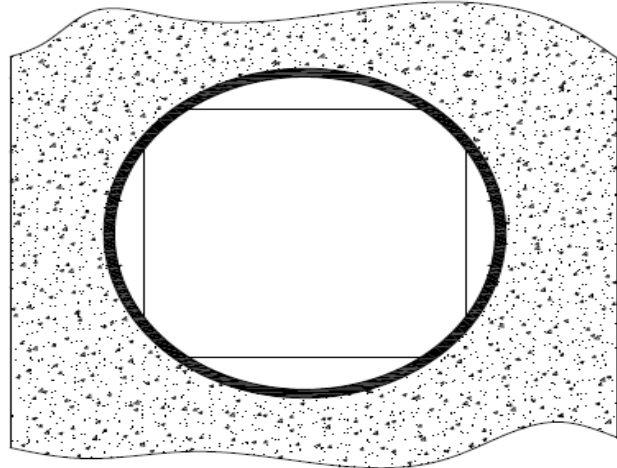
CROSS SECTION VIEW:



BOTTOM VIEW-GRID

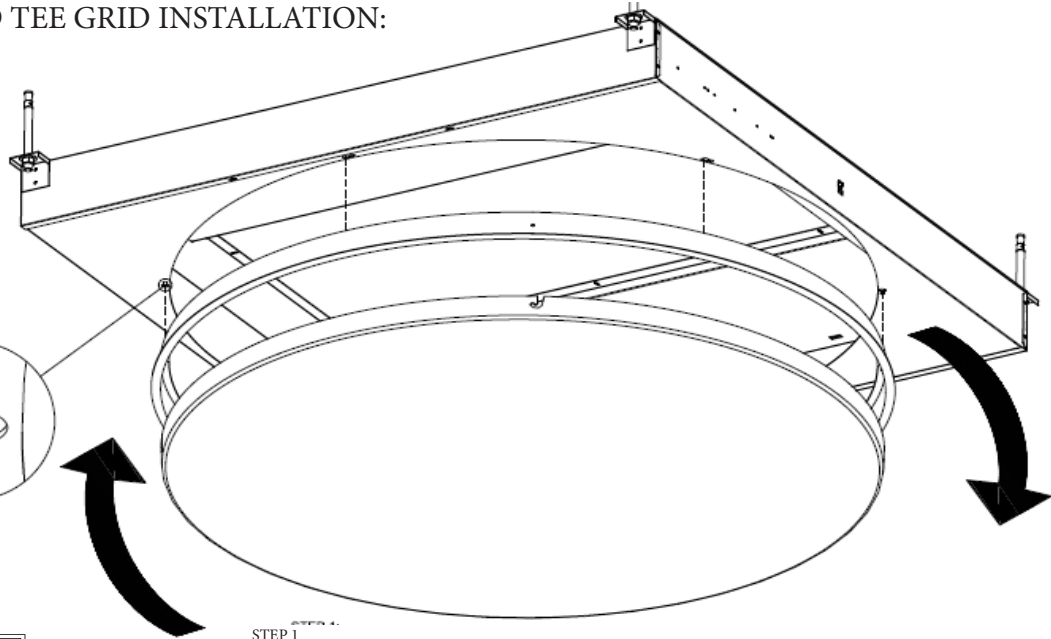
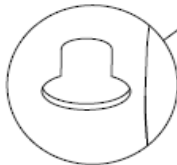


BOTTOM VIEW-SHEETROCK



SHEETROCK AND TEE GRID INSTALLATION:

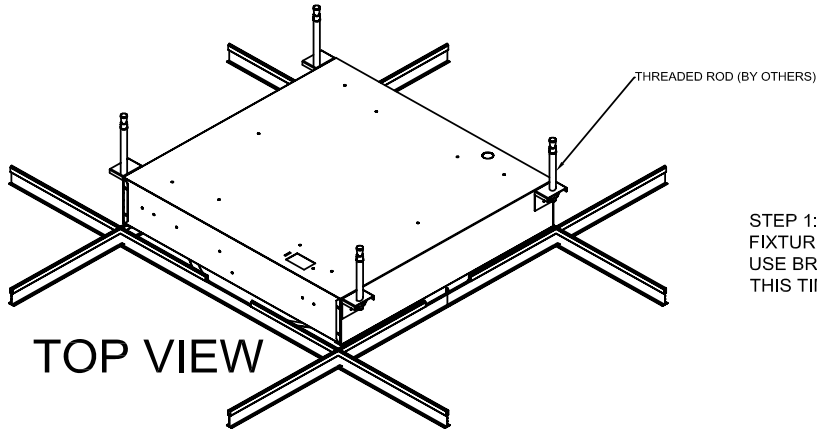
	NOTICE
	Do not touch LED boards May damage device Observe precautions for handling electrostatic sensitive devices.



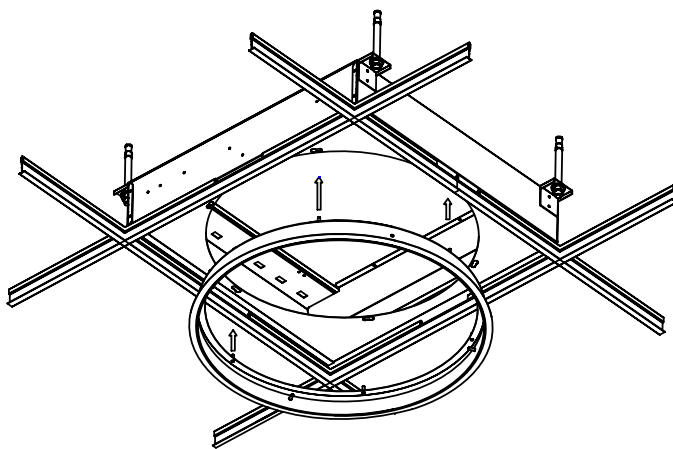
	DANGER
	Hazardous voltage. Contact will cause electric shock or burn. Only work on de-energized equipment. Disconnect power before wiring fixture.

- STEP 1
FIXTURE MUST BE SUPPORTED BY THREADED ROD. USE BRACKETS PROVIDED FOR SUPPORT. AT THIS TIME, HOOK UP ELECTRICAL CONNECTION
- STEP 2
ATTACH RING INTO FIXTURE USING KEY SLOTS AS SHOWN ON DETAIL. USE NUTS TO LOCK RING IN PLACE. AT THIS TIME, MAKE SURE THAT FLANGE OF FIXTURE SITS FLUSH WITH FINISHED CEILING. *****DO THIS BEFORE FINISHED CEILING IS INSTALLED*****
- STEP 3
TWIST LOCK LENS INTO PLACE

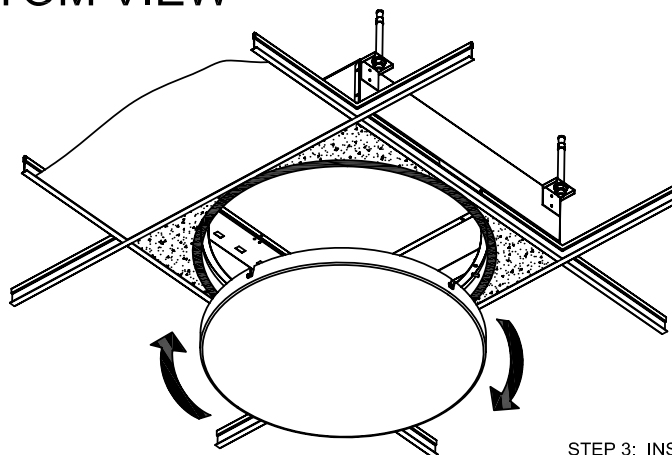
GRID INSTALLATION INSTRUCTIONS:



STEP 1:
FIXTURE MUST BE SUPPORTED BY THREAD ROD
USE BRACKETS PROVIDE FOR SUPPORT. AT
THIS TIME, DO YOUR ELECTRICAL CONNECTION.



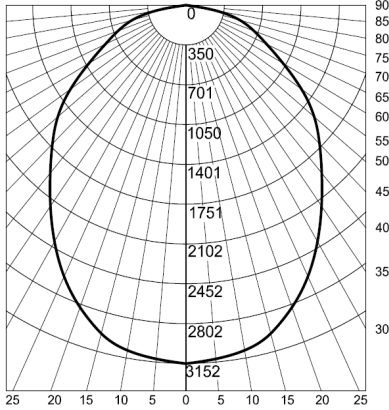
STEP 2:
ONCE HOUSING IS SUPPORTED, MUST CUT TILE
AROUND THE RING AND TWIST LOCK RING INTO
HOUSING. ONCE LOCK IN MUST TIGHTEN NUTS
IN HOUSING TO KEEP RING IN PLACE.



STEP 3: INSTALL LENS BY TWIST LOCKING IN
THE PROPER LOCATION, INSTALLATION IS NOW
COMPLETED.

Photometrics

KRD LED 3FT LTG1 3500K
 DELIVERED LUMENS: 6,840lm
 TOTAL WATTS: 82W
 EFFICACY: 83 Lumens/Watt



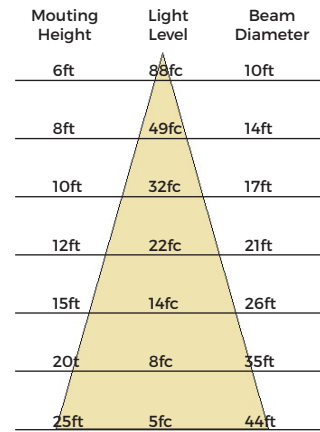
ZONAL LUMEN SUMMARY

Zone	Lumens	% Lamp	% Fixture
0.00 - 30.00	2253.48	27.10	32.94
0.00 - 40.00	3510.57	42.21	51.32
0.00 - 60.00	5628.52	67.68	82.28
0.00 - 90.00	6840.99	82.26	100.00
90.00 - 120.00	7.10	0.09	0.10
90.00 - 150.00	7.10	0.09	0.10
90.00 - 180.00	7.10	0.09	0.10
0.00 - 180.00	6840.99	82.26	100.00

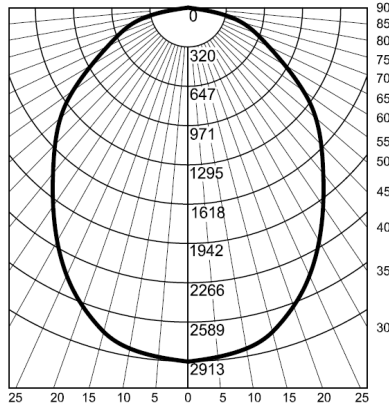
CANDELA DISTRIBUTION

0.00	22.50	45.00	67.50	90.00
0.00	3152.45	3152.45	3152.45	3152.45
5.00	3095.70	3124.44	3123.34	3104.08
10.00	3030.77	3025.36	3012.47	3003.71
15.00	2990.62	2869.93	2871.63	2865.91
20.00	2688.83	2700.31	2692.18	2689.98
25.00	2477.47	2484.07	2495.30	2487.05
30.00	2254.76	2264.37	2259.07	2263.35
35.00	2008.52	2023.02	2025.27	2024.06
40.00	1758.44	1761.20	1765.22	1775.32
45.00	1512.38	1518.75	1522.88	1527.67
50.00	1276.06	1279.33	1283.62	1288.16
55.00	1059.66	1057.05	1055.21	1063.02
60.00	850.21	846.32	853.78	857.16
65.00	660.75	665.63	669.20	668.67
70.00	502.33	503.42	504.64	506.56
75.00	368.85	367.84	368.50	368.58
80.00	259.40	259.65	257.28	259.26
85.00	141.48	141.04	142.58	140.52
90.00	25.08	27.14	25.39	26.05

CONE OF LIGHT



KRD LED 3FT LTG2 3500K
 DELIVERED LUMENS: 6,335lm
 TOTAL WATTS: 76W
 EFFICACY: 83 Lumens/Watt



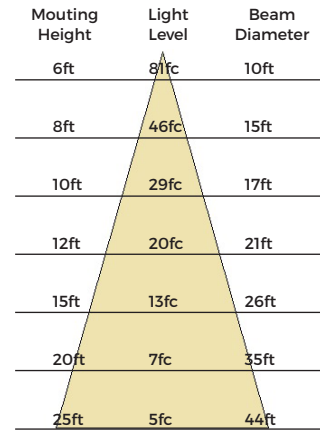
ZONAL LUMEN SUMMARY

Zone	Lumens	% Lamp	% Fixture
0.00 - 30.00	2086.00	27.09	32.93
0.00 - 40.00	3248.90	42.19	51.29
0.00 - 60.00	5211.51	67.68	82.28
0.00 - 90.00	6334.10	82.26	100.00
90.00 - 120.00	6.61	0.09	0.10
90.00 - 150.00	6.61	0.09	0.10
90.00 - 180.00	6.61	0.09	0.10
0.00 - 180.00	6334.10	82.26	100.00

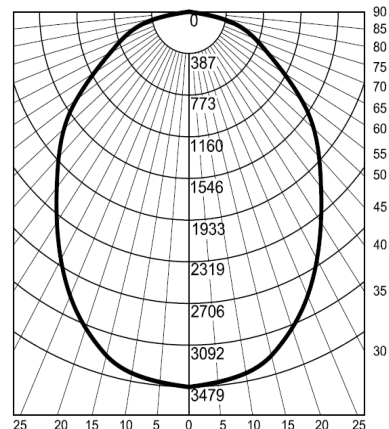
CANDELA DISTRIBUTION

0.00	22.50	45.00	67.50	90.00
0.00	2913.02	2913.02	2913.02	2913.02
5.00	2864.78	2903.07	2888.69	2889.11
10.00	2792.39	2794.00	2790.38	2794.67
15.00	2658.56	2655.99	2660.55	2658.30
20.00	2499.48	2487.98	2497.14	2494.45
25.00	2298.61	2296.06	2302.16	2295.91
30.00	2089.55	2080.32	2092.58	2106.57
35.00	1856.21	1865.07	1870.14	1872.74
40.00	1622.91	1634.26	1639.95	1644.62
45.00	1400.56	1404.85	1408.63	1411.41
50.00	1181.86	1183.24	1190.11	1194.54
55.00	978.63	976.07	983.50	989.40
60.00	790.46	788.57	791.30	793.27
65.00	614.32	616.09	616.44	618.81
70.00	469.01	468.51	466.66	467.89
75.00	337.44	340.06	339.85	341.08
80.00	238.65	240.24	240.07	240.55
85.00	129.48	128.63	131.00	130.34
90.00	24.63	24.37	24.22	24.02

CONE OF LIGHT



KRD LED 3FT LTG3 3500K
 DELIVERED LUMENS: 7,600lm
 TOTAL WATTS: 96W
 EFFICACY: 80 Lumens/Watt



ZONAL LUMEN SUMMARY

Zone	Lumens	% Lamp	% Fixture
0.00 - 30.00	2502.87	27.11	32.95
0.00 - 40.00	3898.84	42.23	51.33
0.00 - 60.00	6248.98	67.69	82.27
0.00 - 90.00	7595.96	82.28	100.00
90.00 - 120.00	7.90	0.09	0.10
90.00 - 150.00	7.90	0.09	0.10
90.00 - 180.00	7.90	0.09	0.10
0.00 - 180.00	7595.96	82.28	100.00

CANDELA DISTRIBUTION

0.0	22.5	45.0	67.5	90.0
0.0	1428.48	1428.48	1428.48	1428.48
5.0	1414.52	1398.79	1395.90	1409.44
10.0	1376.60	1385.63	1380.76	1383.17
15.0	1345.14	1348.56	1345.31	1340.80
20.0	1275.24	1279.35	1277.85	1275.76
25.0	1211.23	1207.18	1207.83	1204.87
30.0	1119.53	1123.45	1117.89	1117.16
35.0	1017.16	1010.34	1009.48	1013.47
40.0	902.86	901.77	900.19	902.48
45.0	787.97	785.36	782.06	781.70
50.0	669.55	666.58	664.99	663.68
55.0	557.38	559.86	557.11	554.03
60.0	452.80	451.53	449.58	449.62
65.0	357.54	353.35	354.76	352.47
70.0	265.55	267.19	265.14	264.31
75.0	189.24	189.10	188.84	187.98
80.0	127.47	126.73	126.05	126.00
85.0	65.86	64.73	64.67	64.39
90.0	8.50	8.39	8.27	8.38

CONE OF LIGHT

