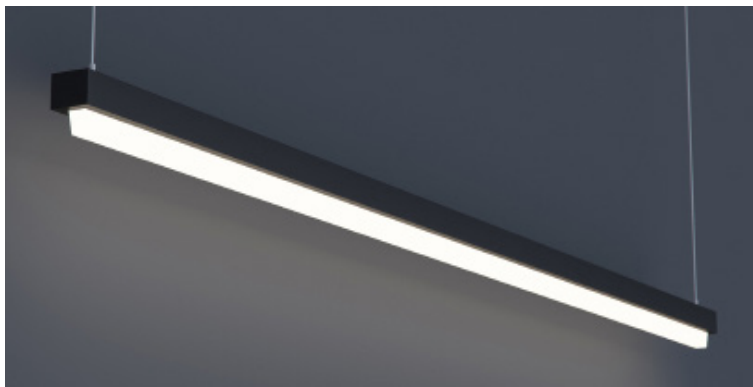


DATE | PROJECT | FIRM | TYPE



Architectural luminaire with extremely low profile. For use in indoor applications where an LED luminaire with small profile providing continuous light is required. Comes standard with 100% direct light, available as 100% indirect (see options).

FEATURES

- 100% Direct Light; 100% Uplight Optional
- Special Diffuse Acrylic Drop Lens With 260 Degree Distribution
- Damp Location Rated
- CRI 90+ Standard
- 5 Year, 50,000 Hour Fixture Warranty
- 3000K & 3500K Color Temperatures Available

APPLICATIONS Offices, Lobbies, Retail Stores, Classrooms, Reception Areas & Corridors

CONSTRUCTION Extruded Aluminum Housing With Die Cast Aluminum End Caps | **OPTICS** Satin PMMA Lens, No LED Imaging

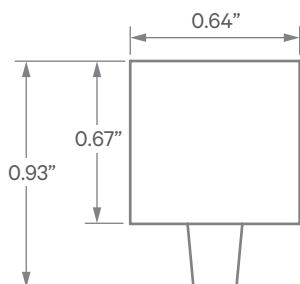
WARRANTY 5 Year Limited Warranty (Covers Standard Components) | **FINISH** Standard Powder-Coated Black. Custom RAL Colors Available

FIXTURE RATINGS & CERTIFICATIONS Union Made Made In The USA
ETL Listed Damp Location Rated



ELECTRICAL 0-10V Remote Driver With 10% Dimming

EXTRUSION DIMENSIONS



LED SYSTEM INFORMATION

	Nominal System Watts	Nominal Delivered Lumens
Standard (LTG1)	6.6 W/ft	225 Lm/ft
Low (LTG2)	3.5 W/ft	160 Lm/ft

Based on a 3500K luminaire using one driver. Please consult factory for custom lumen outputs & wattage.

ORDERING



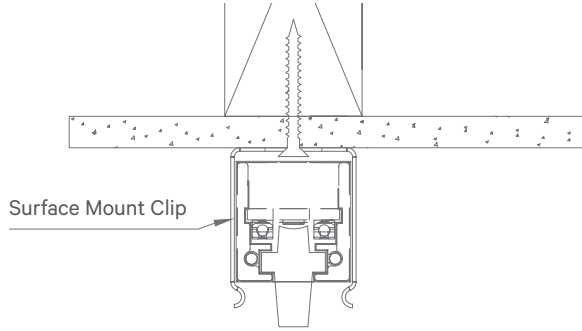
1 - FIXTURE ID KROME	2 - LENGTH 2 - 2 ft 4 - 4 ft 8 - 8 ft 12 - 12 ft	3 - COLOR TEMP 30 - 3000K/90 CRI 35 - 3500K/90 CRI	4 - LED SYSTEM LTG1 - Standard LTG2 - Low C - Custom Output (ie-C100Lm/ft)	5 - VOLTAGE UNV - Universal (120/277V)	6 - DRIVER DB - Standard 10% Dimming (0-10V)
--------------------------------	---	---	--	--	--

7 - FINISH BLK - Black (Standard) W - White CC - Custom Color (provide RAL#)	8 - MOUNTING AC - Air Craft Cable (50") SM - Surface Mount WM - Wall Mount	9 - OPTICS SD - Standard Diffuser	10 - OPTIONS UP - All Uplight (Fixture Inverted) EM 120V - Emergency Pack EM 277V - Emergency Pack
--	--	---	--

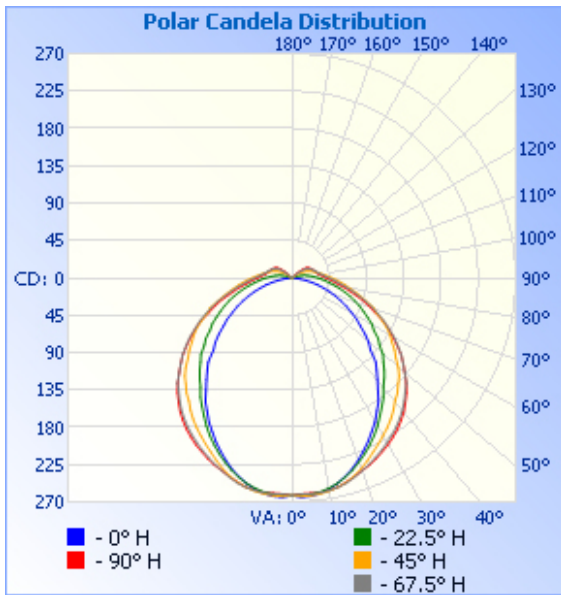
DATE | PROJECT | FIRM | TYPE

MOUNTING

SM - Surface Mount



PHOTOMETRICS



KROMELED 4FT LTG1 3500K
 DELIVERED LUMENS: 903Lm
 TOTAL WATTS: 20W

ZONAL LUMEN SUMMARY

ZONE	LUMENS	% FIXTURE
0.00 - 30.00	202.12	22.40
0.00 - 40.00	330.95	36.5
0.00 - 60.00	592.95	65.60
60.00 - 90.00	234.54	26.00
0.00 - 90.00	826.7	91.50
90.00 - 180.00	76.7	8.50
0.00 - 180.00	903.4	100.00