

KSWISH2X2-19Y_D10



LED efficiency and performance in an economical 2'x2' center basket troffer.

Color: White

Weight: 13.7 lbs

Project:

Type:

Prepared By:

Date:

Driver Info

| Type | Constant Current |
|-------------|------------------|
| 120V | 0.16A |
| 208V | 0.10A |
| 240V | 0.09A |
| 277V | 0.08A |
| Input Watts | 19.4W |

LED Info

| | |
|----------------|--------------|
| Watts | 19W |
| Color Temp | 3000K (Warm) |
| Color Accuracy | 83 CRI |
| L70 Lifespan | 100,000 |
| Lumens | 2,344 |
| Efficacy | 120.8 LPW |

Technical Specifications

Listings

UL Listing:

Suitable for damp locations

DLC Listed:

This product is on the Design Lights Consortium (DLC) Qualified Products List and is eligible for rebates from DLC Member Utilities.

DLC Product Code: PWSGZVVJ

Electrical

Dimming Driver:

Driver includes dimming control wiring for 0-10V dimming systems. Requires separate 0-10V DC dimming circuit. Dims as low as 10%.

Driver:

Class 2, Constant Current, 100-277V, 50/60Hz, 120V: 0.16A, 208V: 0.10A, 240V: 0.09A, 277V: 0.08A, THD <15%, Power Factor >90%, 4kV surge protection

THD:

10.5% at 120V, 12.4% at 277V

Power Factor:

99.0% at 120V, 90.7% at 277V

Construction

Ambient Temperature:

Suitable for 40°C (104°F)

IC Rating:

Suitable for direct contact with insulation

Housing:

Die-formed, 20-gauge, cold-rolled steel

Mounting:

Integral T-grid clips make installation easy and secure

Reflector:

High-reflectance, powder-coated finish, optimized for uniform light distribution

Lens:

Snap-in, frosted polycarbonate lens

Finish:

Formulated for high durability and long-lasting color

Green Technology:

Mercury and UV free. RoHS-compliant components.

LED Characteristics

LEDs:

Long-life, high-efficacy surface mount LEDs

Lifespan:

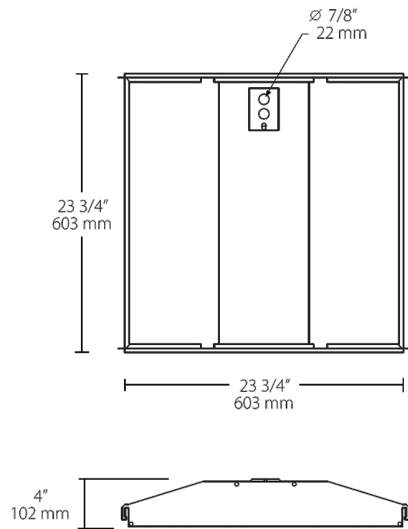
100,000-hour LED lifespan based on IES LM-80 results and TM-21 calculations

Color Stability:

LED color temperature is warrantied to shift no more than 200K in CCT over a 5-year period

KSWISH2X2-19Y_D10

Dimensions



Features

- Ultra-efficient performance with DLC Premium listing
- Optional surface mount and drywall frame kits available
- Optional programmable occupancy sensor for multi-level lighting control
- 0-10V dimming standard on all models
- 100,000-hour LED lifespan <CALLLOUT> 5-Year, No-Compromise Warranty

Ordering Matrix

| Family | Size | Wattage | Color Temp | Driver | Options | Chicago Penum |
|--------|---------------|----------------------------------------------------|--------------------------------------------------|----------------------|------------------------------------------------------------------------------------------------------------------------------------------------------------------------|------------------------------------------|
| KSWISH | 2X2 | 19 | Y | /D10 | | |
| | 2X4 = 2' x 4' | 19 = 19W (2x2) | N = 4000K (Neutral) YN = 3500K (Warm Neutral) | /D10 = 0-10V Dimming | Blank = No Option /E2 = Emergency Battery Backup /LC = Lightcloud Controller /MVS = Occupancy Sensor /MVS/E2 = Occupancy Sensor + Emergency Battery Backup | Blank = Standard /CP = Chicago Plenum |
| | 2X2 = 2' x 2' | 29 = 29W (2x2) 39 = 39W (2x4) 49 = 49W (2x4) | Y = 3000K (Warm) | | | |