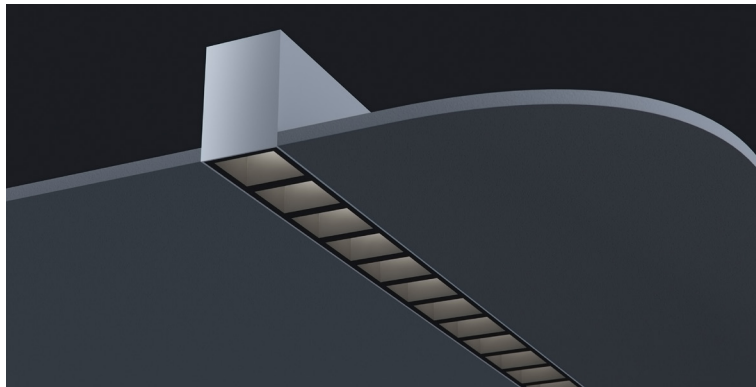


DATE	PROJECT	FIRM	TYPE
------	---------	------	------



Recessed, linear luminaire with small profile using specially designed louver and optical system to control beam spread as well as glare. Grid, Flange, and No Trim mounting options available. For custom mounting consult factory.

FEATURES

- Available In Custom Lengths & Long Runs To the Nearest Foot
- Corners & Patterns Available (See Page 2)
- Damp Location Rated
- CRI 90+ Standard
- 5 Year, 50,000 Hour Fixture Warranty
- 2700K, 3000K, 3500K, 4000K & 5000K Color Temperatures Available

APPLICATIONS Offices, Lobbies, Retail Stores, Classrooms, Reception Areas & Corridors

CONSTRUCTION Extruded Aluminum Housing and Gear Tray with Formed Steel Ends. | **OPTICS** Extruded High Transmission Satin Acrylic Lens With No LED Imaging. Additional Optics Available.

WARRANTY 5 Year Limited Warranty (Covers Standard Components) | **FINISH** Standard Powder-Coated White With Black Louver. Custom RAL Colors Available

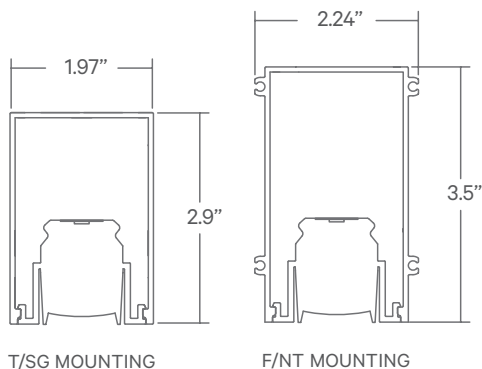
FIXTURE RATINGS & CERTIFICATIONS Union Made ETL Listed | Made In The USA Damp Location Rated



ELECTRICAL Integral Driver With 0-10V 10% Dimming Standard. Several Driver Options Available. See Below For Lutron Dimming Information

2-Wire Forward Phase; Hi-Lume 1% Dimming, Only Available For 120V	LTEA
3-Wire EcoSystem; Hi-lume 1% Dimming	L3DA
Digital EcoSystem; Hi-lume 1% Dimming, 'Soft-on Fade-to-black' (Required for Daylighting)	LDE1
5 Series EcoSystem; 5% Dimming	LDE5

EXTRUSION DIMENSIONS



LED SYSTEM INFORMATION

	System Watts	Delivered Lumens	Delivered Lumens
Standard (LTG1)	7 W/ft	560 Lm/ft	83 LPW
Low (LTG2)	4.75 W/ft	395 Lm/ft	85 LPW
High (LTG3)	9.75 W/ft	753 Lm/ft	77 LPW

Based on a 3500K luminaire using one driver using the 'SP' option. Please consult factory for custom lumen outputs & wattage.

ORDERING

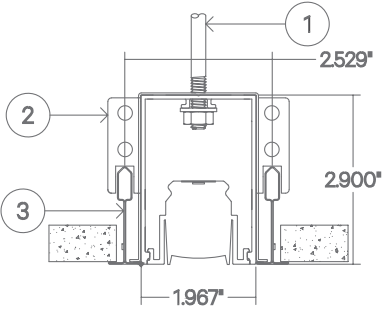


<p>1 - FIXTURE ID LRK1 LED SHARP</p>	<p>2 - LENGTH 2 - 2 ft 4 - 4 ft 8 - 8 ft X' - Custom (specify length to the nearest foot) **Patterns available, consult factory</p>	<p>3 - LED SYSTEM LTG1 - Standard LTG2 - Low LTG3 - High C - Custom Output (ie-C550Lm/ft)</p>	<p>4 - COLOR TEMP 27 - 2700K/90 CRI 30 - 3000K/90 CRI 35 - 3500K/90 CRI 40 - 4000K/90 CRI</p>	<p>5 - VOLTAGE UNV - Universal (120/277V)</p>	<p>6 - DRIVER DB - Standard 10% Dimming (0-10V) DB1% - 1% Dimming (0-10V) DB.01% - .01% Dimming (0-10V) LTEA* - Lutron 2-wire 1% Dimming L3DA* - Lutron 3-wire 1% Dimming LDE1* - Lutron Digital EcoSystem LDE5* - 5 Series EcoSystem; 5% Dimming *Refer to 'Electrical' Information Above</p>
<p>7 - FINISH W - White (Standard)</p>	<p>8 - MOUNTING T - 9/16" Tee Grid T15 - 15/16" Tee Grid SG - Slot Grid/Interlude F - Flange</p>	<p>9 - BEAM SPREAD SP - 24° Beam FL - 30° Beam WFL - 44° Beam</p>	<p>10 - OPTIONS WH - 6 ft Whip, Preinstalled CP - Chicago Plenum EM 120V - Emergency Pack EM 277V - Emergency Pack</p>		

DATE	PROJECT	FIRM	TYPE
------	---------	------	------

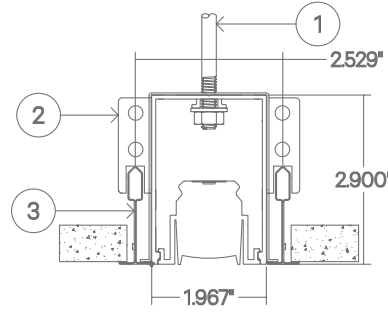
MOUNTING OPTIONS

T - 9/16" Tee Grid



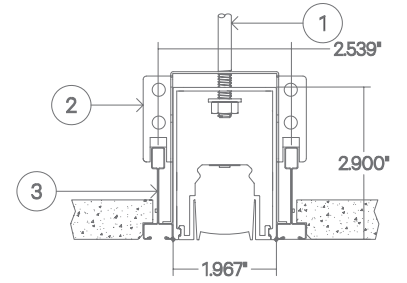
- 1 - Threaded Rod (not supplied)
- 2 - Tee Grid Bracket
- 3 - Tee Grid

T15 - 15/16" Tee Grid



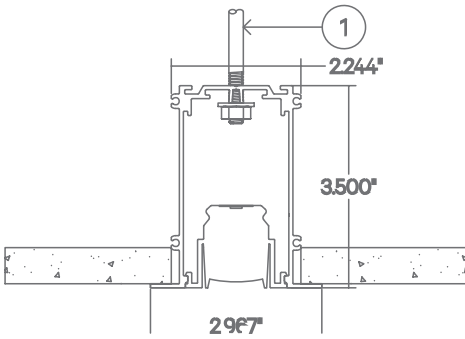
- 1 - Threaded Rod (not supplied)
- 2 - Tee Grid Bracket
- 3 - Tee Grid

SG - Slot Grid/Interlude



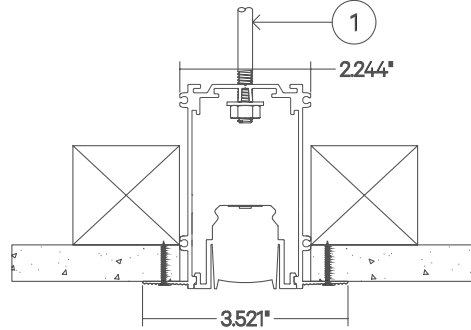
- 1 - Threaded Rod (not supplied)
- 2 - Slot Grid Bracket
- 3 - Slot Grid

F - Flange



- 1 - 1/4-20 Threaded Rod Optional

NT - No Trim/Spackle Flange

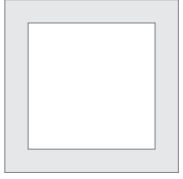


- 1 - 1/4-20 Threaded Rod Optional

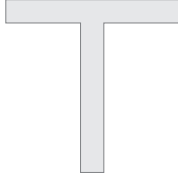
DATE	PROJECT	FIRM	TYPE
------	---------	------	------

CORNERS & PATTERNS

Available with illuminated corners, angles, and custom patterns. **Must consult factory for custom corners and patterns.**



Square Patterns



T Patterns