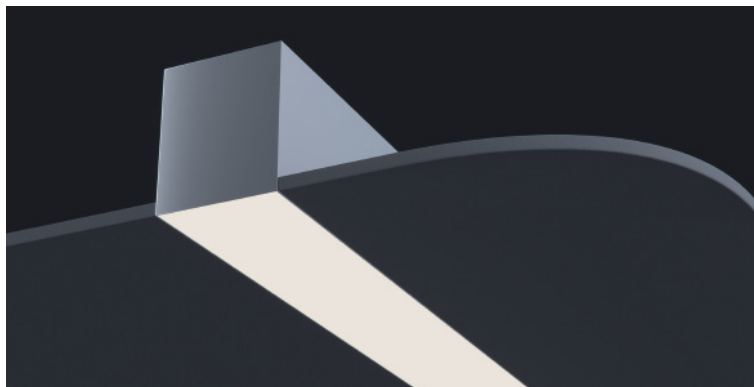


DATE	PROJECT	FIRM	TYPE
------	---------	------	------



Linear, recessed, architectural luminaire with a 3" aperture. For use in indoor applications where an LED luminaire providing continuous light is required. Suitable for grid system and drywall installation as well as custom mounting requests.

FEATURES

- Available In Custom Lengths & Long Runs To 1/16" Accuracy
- Corners & Patterns Available (See Page 3)
- Optional 1" Drop Below Lens, 'Pop-Out' Lens
- Damp Location Rated
- CRI 90+ Standard
- 5 Year, 50,000 Hour Fixture Warranty
- 2700K, 3000K, 3500K, 4000K & 5000K Color Temperatures Available
- Enlighted/Wattstopper Sensors Available

APPLICATIONS Offices, Lobbies, Retail Stores, Classrooms, Reception Areas & Corridors

CONSTRUCTION Extruded Aluminum Housing and Steel End Caps. Formed Steel Gear Tray | **OPTICS** Extruded High Transmission Satin Acrylic, With No LED Imaging. Additional Optics Available

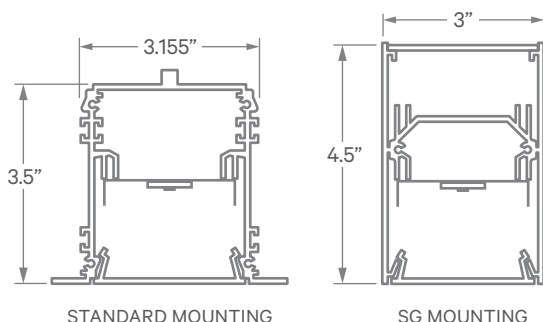
WARRANTY 5 Year Limited Warranty (Covers Standard Components) | **FINISH** Standard Powder-Coated White

FIXTURE RATINGS & CERTIFICATIONS Union Made, DLC Made In The USA listed, ETL Listed Damp Location Rated



ELECTRICAL Integral Driver With 0-10V 10% Dimming Standard. Several Driver Options Available.

EXTRUSION DIMENSIONS



LED SYSTEM INFORMATION

	Nominal System Watts	Nominal Delivered Lumens	Nominal Efficacy
Standard (LTG1)	7.25 W/ft	610 Lm/ft	85 Lm/W
Low (LTG2)	5 W/ft	420 Lm/ft	85 Lm/W
High (LTG3)	8.75 W/ft	700 Lm/ft	80 Lm/W

Based on a 3500K luminaire using one driver in SG extrusion. Please consult factory for custom lumen outputs & wattage.

ORDERING

1	2	3	4	5	6	7	8	9	10	11
---	---	---	---	---	---	---	---	---	----	----

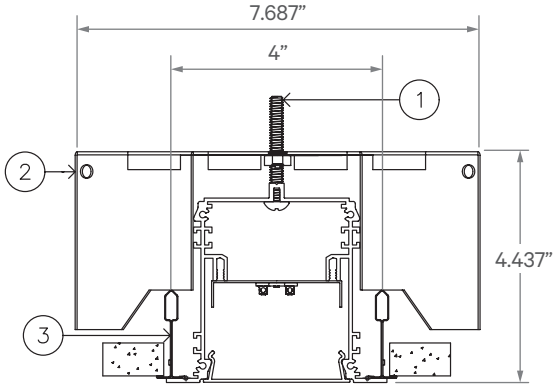
1 - FIXTURE ID LRK3 LED	2 - LENGTH 2 - 2 ft 4 - 4 ft 8 - 8 ft x'-x" - Custom (specify length) **Patterns available, consult factory	3 - COLOR TEMP 27 - 2700K/90 CRI 30 - 3000K/90 CRI 35 - 3500K/90 CRI 40 - 4000K/90 CRI 50 - 5000K/90 CRI TW* - Tunable White RGBW* - RGB + 3000K *Must use DMX Driver (Remote)	4 - LED SYSTEM LTG1 - Standard LTG2 - Low LTG3 - High C - Custom Output (ie-C550Lm/ft)	5 - VOLTAGE UNV - Universal (120/277V)	6 - DRIVER DB - Standard 10% Dimming (0-10V) DB1% - 1% Dimming (0-10V) DB.01% - .01% Dimming (0-10V) LTEA* - Lutron 2-wire 1% Dimming L3DA* - Lutron 3-wire 1% Dimming LDE1* - Lutron Digital EcoSystem LDE5* - 5 Series EcoSystem; 5% Dimming DMX - For Color Tuning and RGBW
-----------------------------------	---	---	---	--	---

7 - FINISH W - White (Standard)	8 - MOUNTING T - 9/16" Tee Grid T15 - 15/16" Tee Grid SG - Slot Grid/Interlude F - Flange NT - No Trim/Spackle Flange	9 - CONTROL EIS - Integral Sensor by Enlighted WIS - Integral Sensor by Wattstopper	10 - OPTICS SD - Standard Diffuser POL - 1" Drop Below Pop Out Lens ASYM - Asymmetric Optic BW - Batwing	11 - OPTIONS WH - Whips WW - Wall Wash Reflector CP - Chicago Plenum EM 120V - Emergency Pack EM 277V - Emergency Pack
---	---	--	---	--

DATE	PROJECT	FIRM	TYPE
------	---------	------	------

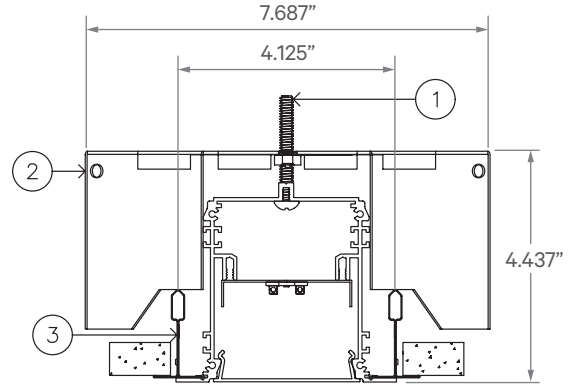
MOUNTING OPTIONS

T - 9/16" Tee Grid



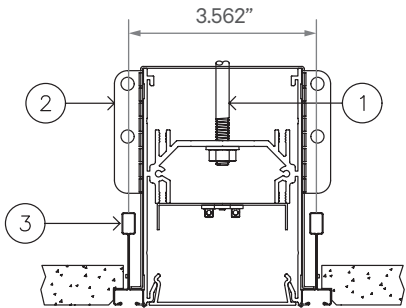
- 1 - Threaded Rod (not supplied)
- 2 - Tee Grid Bracket
- 3 - Tee Grid

T15 - 15/16" Tee Grid



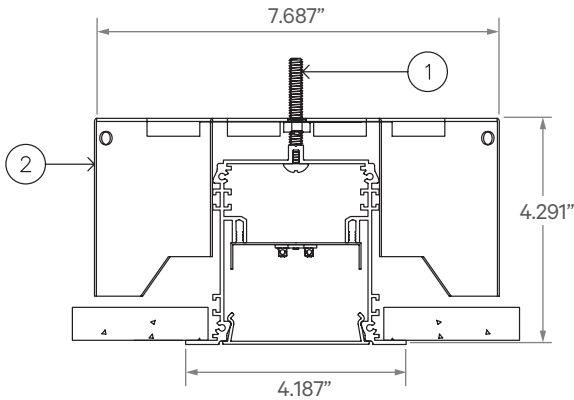
- 1 - Threaded Rod (not supplied)
- 2 - Tee Grid Bracket
- 3 - Tee Grid

SG - Slot Grid/Interlude



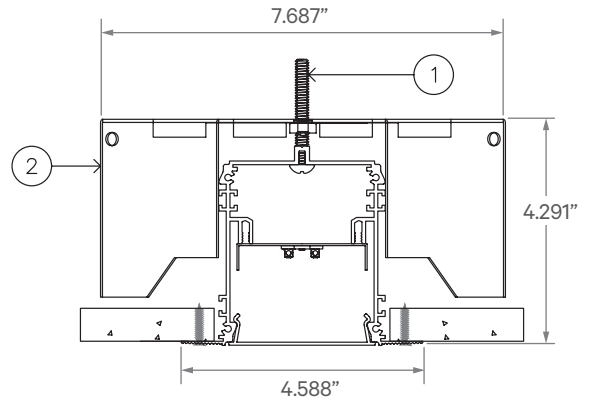
- 1 - Threaded Rod (not supplied)
- 2 - Slot Grid Bracket
- 3 - Slot Grid

F - Flange



- 1 - Threaded Rod (not supplied)
- 2 - Bracket

NT - No Trim/Spackle Flange

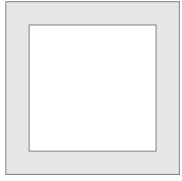


- 1 - Threaded Rod (not supplied)
- 2 - Bracket

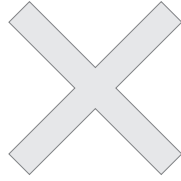
DATE	PROJECT	FIRM	TYPE
------	---------	------	------

CORNERS & PATTERNS

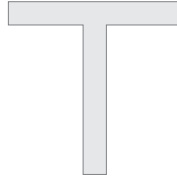
Available with illuminated corners, angles, and custom patterns. **Must consult factory for custom corners and patterns.**



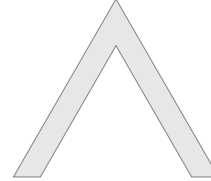
Square Patterns



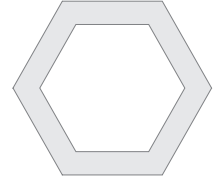
X Patterns



T Patterns



Custom Angles

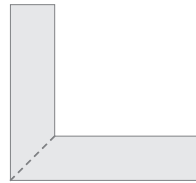


Custom Patterns

LENS CUT OPTIONS



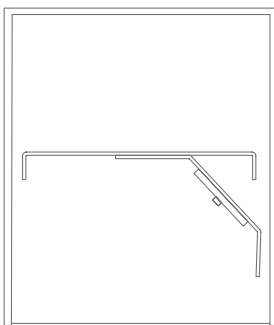
Straight-cut
*Not Available with POL



Mitered Angle

NOTE: Straight-Cut is standard configuration, Mitered Angle is optional and must be specified.

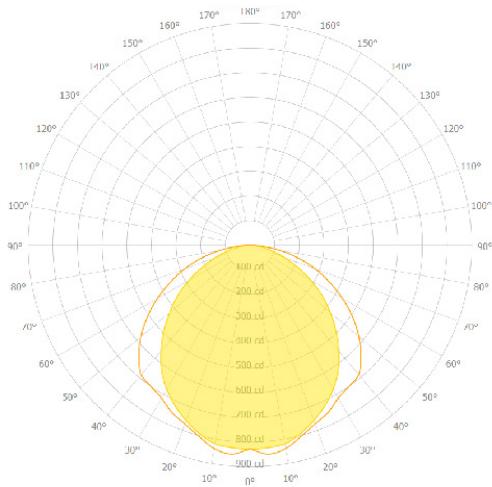
WALL WASH REFLECTOR



Cross Section

DATE | PROJECT | FIRM | TYPE

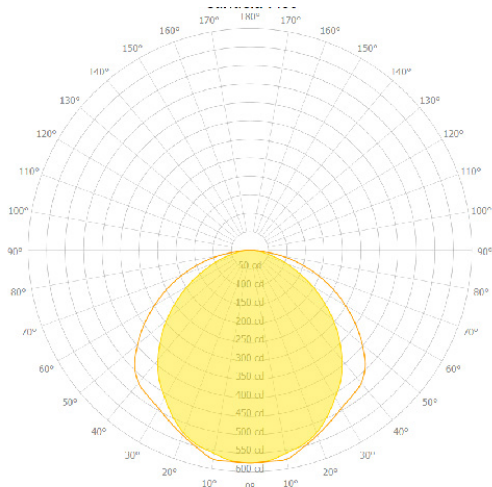
PHOTOMETRICS



LRK3 LED 4FT LTG1 3500K
 DELIVERED LUMENS: 2,440Lm
 TOTAL WATTS: 29W
 EFFICACY: 85 Lumens/Watt

ZONAL LUMEN SUMMARY

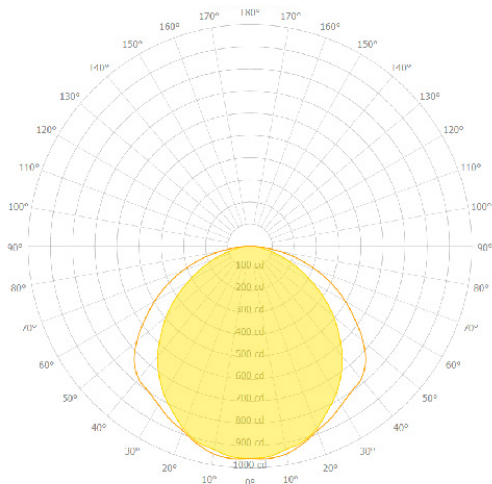
ZONE	LUMENS	% LAMP	% FIXTURE
0.00 - 30.00	648.21	17.06	26.57
0.00 - 40.00	1057.06	27.83	43.33
0.00 - 60.00	1890.95	49.78	77.51
0.00 - 90.00	2439.57	64.22	100.00
90.00 - 120.00	0.71	0.02	0.03
90.00 - 150.00	0.71	0.02	0.03
90.00 - 180.00	0.71	0.02	0.03
0.00 - 180.00	2439.57	64.22	100.00



LRK3 LED 4FT LTG2 3500K
 DELIVERED LUMENS: 1,687Lm
 TOTAL WATTS: 20W
 EFFICACY: 85 Lumens/Watt

ZONAL LUMEN SUMMARY

ZONE	LUMENS	% LAMP	% FIXTURE
0.00 - 30.00	445.11	17.04	26.54
0.00 - 40.00	726.58	27.82	43.32
0.00 - 60.00	1300.35	49.78	77.53
0.00 - 90.00	1677.23	64.21	100.00
90.00 - 120.00	0.48	0.02	0.03
90.00 - 150.00	0.48	0.02	0.03
90.00 - 180.00	0.48	0.02	0.03
0.00 - 180.00	1687.23	64.21	100.00



LRK3 LED 4FT LTG3 3500K
 DELIVERED LUMENS: 2,796Lm
 TOTAL WATTS: 35W
 EFFICACY: 80 Lumens/Watt

ZONAL LUMEN SUMMARY

ZONE	LUMENS	% LAMP	% FIXTURE
0.00 - 30.00	743.03	17.07	26.57
0.00 - 40.00	1212.40	27.85	43.35
0.00 - 60.00	2169.11	49.83	77.57
0.00 - 90.00	2796.44	64.24	100.00
90.00 - 120.00	0.84	0.02	0.03
90.00 - 150.00	0.84	0.02	0.03
90.00 - 180.00	0.84	0.02	0.03
0.00 - 180.00	2796.44	64.24	100.00