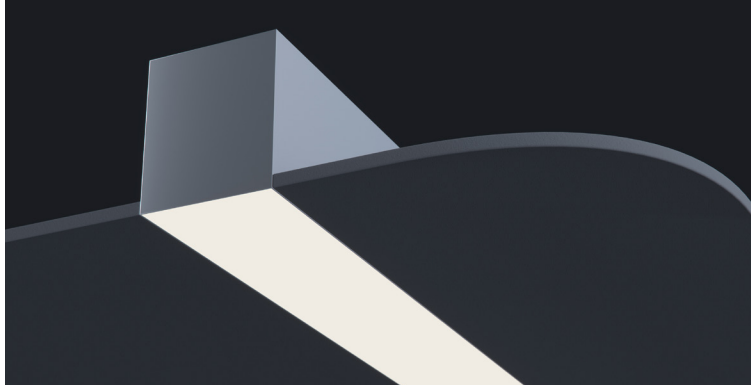


# LRK4 LED

DATE	PROJECT	FIRM	TYPE
------	---------	------	------



Linear, recessed, architectural luminaire. For use in indoor applications where an LED luminaire with small profile providing continuous light is required. Suitable for grid systems and drywall installation as well as custom mounting requests.

### FEATURES

- Available In Custom Lengths & Long Runs To 1/16" Accuracy
- Corners & Patterns Available (See Page 3)
- Damp Location Rated
- CRI 90+ Standard
- 2700K, 3000K, 3500K, 4000K & 5000K Color Temperatures Available
- Enlighted/Wattstopper Sensors Available

**APPLICATIONS** Offices, Lobbies, Retail Stores, Classrooms, Reception Areas & Corridors

**CONSTRUCTION** Extruded Aluminum Housing and Steel End Caps. Formed Aluminum Gear Tray | **OPTICS** Extruded High Transmission Satin Acrylic Lens With No LED Imaging

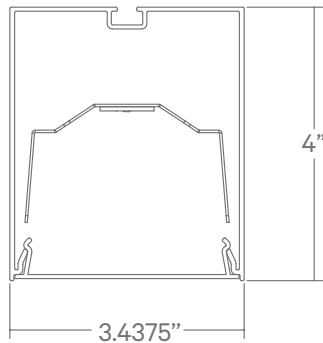
**WARRANTY** 5 Year Limited Warranty (Covers Standard Components) | **FINISH** Standard Powder-Coated White

**FIXTURE RATINGS & CERTIFICATIONS** Union Made ETL Listed | Made In The USA Damp Location Rated



**ELECTRICAL** Integral Driver With 0-10V 10% Dimming Standard. Several Driver Options Available. See Below For Lutron Dimming Information

### EXTRUSION DIMENSIONS



### LED SYSTEM INFORMATION

	Nominal System Watts	Nominal Delivered Lumens	Nominal Efficacy
Standard (LTG1)	7.25 W/ft	605 Lm/ft	83 Lm/W
Low (LTG2)	5 W/ft	420 Lm/ft	85 Lm/W
High (LTG3)	8.75 W/ft	700 Lm/ft	80 Lm/W

Based on a 3500K luminaire using one driver. Please consult factory for custom lumen outputs & wattage.

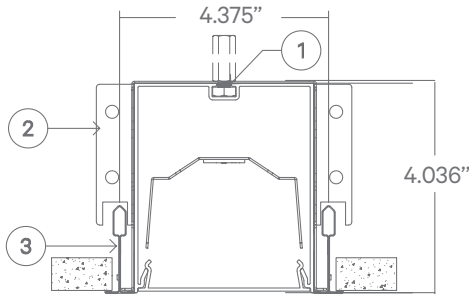
### ORDERING

<b>1 - FIXTURE ID</b> <b>LRK4 LED</b>	<b>2 - LENGTH</b> 2 - 2 ft 4 - 4 ft 8 - 8 ft x'-x" - Custom (specify length) **Patterns available consult factory <b>10ft</b>	<b>3 - COLOR TEMP</b> 27 - 2700K/90 CRI <b>30 - 3000K/90 CRI</b> 35 - 3500K/90 CRI 40 - 4000K/90 CRI 50 - 5000K/90 CRI TW* - Tunable White RGBW* - RGB + 3000K *Must use DMX Driver (Remote)	<b>4 - LED SYSTEM</b> <b>LTG1 - Standard</b> LTG2 - Low LTG3 - High C - Custom Output (ie-C550Lm/ft)	<b>5 - VOLTAGE</b> <b>UNV - Universal (120/277V)</b>	<b>6 - DRIVER (Remote)</b> <b>DB - Standard 10% Dimming (0-10V)</b> DB1% - 1% Dimming (0-10V) DB.01% - .01% Dimming (0-10V) LTEA - Lutron 2-wire 1% Dimming (120V) L3DA - Lutron 3-wire 1% Dimming LDE1 - Lutron Digital EcoSystem LDE5 - 5 Series EcoSystem; 5% Dimming DMX - For Color Tuning and RGBW
<b>7 - FINISH</b> <b>W - White (Standard)</b>	<b>8 - MOUNTING</b> T - 9/16" Tee Grid T15 - 15/16" Tee Grid <b>SG - Slot Grid/Interlude</b> F - Flange NT - No Trim/Spackle Flange	<b>9 - OPTICS</b> <b>SD - Standard Diffuser</b>	<b>10 - CONTROL (Optional)</b> EIS - Integral Sensor by Enlighted WIS - Integral Sensor by Wattstopper	<b>11 - CIRCUIT (Optional)</b> WH - Whips CP - Chicago Plenum EM 120V - Emergency Pack EM 277V - Emergency Pack	

DATE	PROJECT	FIRM	TYPE
------	---------	------	------

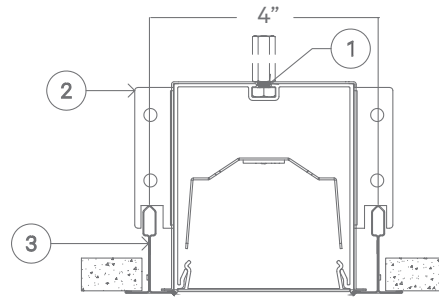
## MOUNTING OPTIONS

T - 9/16" Tee Grid



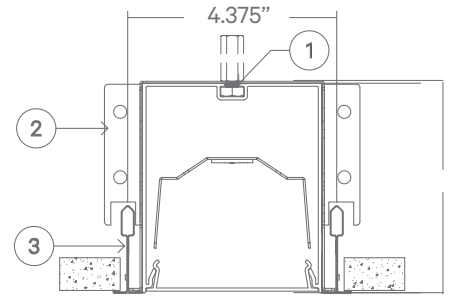
- 1 - 1/4 20 Slide Bolt (Coupler by EC)
- 2 - Tee Grid Bracket
- 3 - Tee Grid

T15 - 15/16" Tee Grid



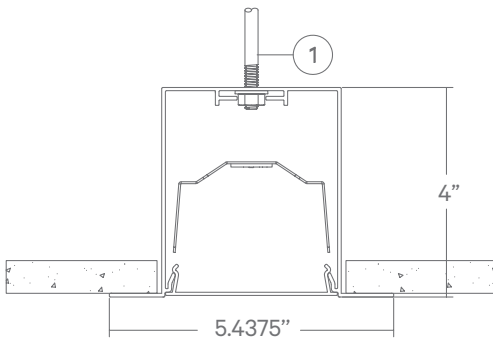
- 1 - 1/4 20 Slide Bolt (Coupler by EC)
- 2 - Tee Grid Bracket
- 3 - Tee Grid

SG - Slot Grid/Interlude



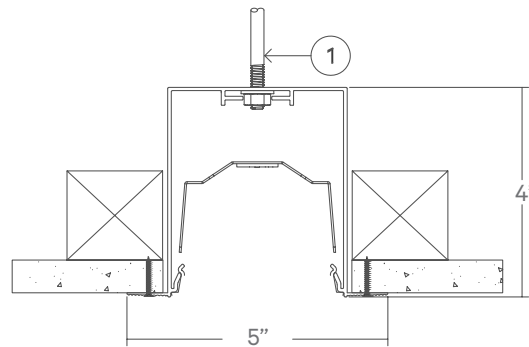
- 1 - 1/4 20 Slide Bolt (Coupler by EC)
- 2 - Slot Grid Bracket
- 3 - Slot Grid

F - Flange



- 1 - 1/4-20 Threaded Rod Optional

NT - No Trim/Spackle Flange



- 1 - 1/4-20 Threaded Rod Optional

DATE

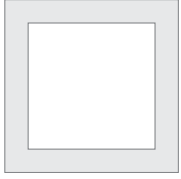
PROJECT

FIRM

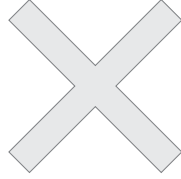
TYPE

## CORNERS & PATTERNS

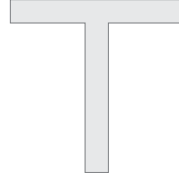
Available with illuminated corners, angles, and custom patterns. **Must consult factory for custom corners and patterns.**



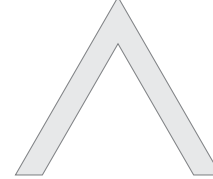
Square Patterns



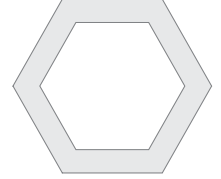
X Patterns



T Patterns

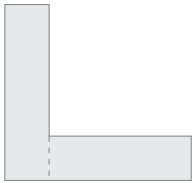


Custom Angles

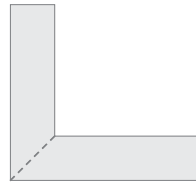


Custom Patterns

## LENS CUT OPTIONS



Straight-cut



Mitered Angle

**NOTE:** Straight-Cut is standard configuration, Mitered Angle is optional and must be specified.