

## LRK6 LED

Linear recessed, architectural luminaire with 6" aperture. For use in indoor applications where an LED luminaire providing continuous light is required. Suitable for grid systems and drywall installation as well as custom mounting requests (consult factory). Patterns and corners available.

PROJECT: \_\_\_\_\_

TYPE: \_\_\_\_\_

NOTES: \_\_\_\_\_



### Features

- Glare-free lighting
- Available in custom lengths and long runs
- Corners and Patterns Available
- Damp Location Rated
- CRI Value: 80+; available in 90+
- 5 year, 50,000 hour lamp life Warranty
- 27000k, 3000k, 3500k, 4000k, and 5000k color temperatures available

### Applications

- Offices
- Lobbies
- Retail Stores
- Classrooms
- Reception Areas
- Corridors

### Details

**Construction:** Extruded aluminum housing.

**Optics:** Extruded Satin Acrylic Lens

**Electrical:** Integral driver with dimming. Several driver options available. See below for Lutron Dimming information:

**LTEA**=2-wire forward phase; Hi-lume 1% Dimming, only available for 120V.

**L3DA**=3-wire EcoSystem; Hi-lume 1% Dimming

**LDE1**=Digital EcoSystem; Hi-lume 1% Dimming, 'soft-on fade-to-black' (Required for Daylighting)

**LDE5**=5 Series EcoSystem; 5% Dimming.

**Warranty:** 5 year limited warranty; covers standard components.

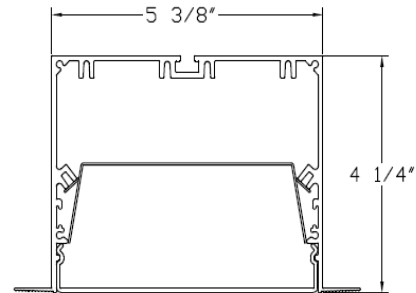
**Approvals:** Union made, ETL listed, and manufactured in the US. Rated for Damp Location.

### LED System Information

	Nominal System Watts	Nominal Delivered Lumens	Nominal Efficacy
Standard (LTG1)	11.25W/ft	875Lm/ft	78Lm/W
Low (LTG2)	7.5W/ft	620Lm/ft	81Lm/W
High (LTG3)	13.5W/ft	1,010Lm/ft	75Lm/W

**Please Note:** Standard CRI is 80+, must specify for requests over 90. Outputs reflected in chart based on 4000K color temperature. For custom LED package requests consult factory; wattages vary based on specified output. Additional photometric information available.

### Extrusion Dimensions



### Ordering Information

#### LRK6 LED

Series	Size***	LED System	Color Temp	Voltage	Mounting	Driver	Options
	2FT	LTG1- Standard	2700K	120	T- 9/16" Tee Grid (Must specify if 15/16")	DB- Standard 10% Dimming (0-10V)	EM-Emergency Pack
	4FT	LTG2- Low	3000K	277	F-Flange	DB1%-1% Dimming (0-10V)	WH-Whips
	8FT	LTG3- High	3500K	UNV	NT-No Trim, Spackle Flange	DB.01%-0.1% Dimming (0-10V)	EIS- Integral Sensor by Enlighted
	XFT (Custom Lengths and Continuous Runs)	C- Custom Output (ie-C550Lm/ft)	4000K		SG- Slot Grid/Interlude	LTEA*-Lutron 2-wire 1% Dimming	WIS- Integral Sensor by Wattstopper
			5000K			L3DA*-Lutron 3-wire 1% Dimming	90CRI- CRI of 90+
						LDE1*-Lutron Digital EcoSystem	CC-Custom Color
						LDE5*-5 Series EcoSystem; 5% Dimming	CP-Chicago Plenum

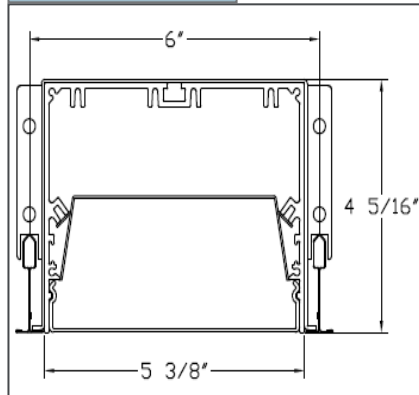
\*\*\*All lengths are nominal, for shop drawings please consult factory

\*Refer to 'Electrical' Information Above

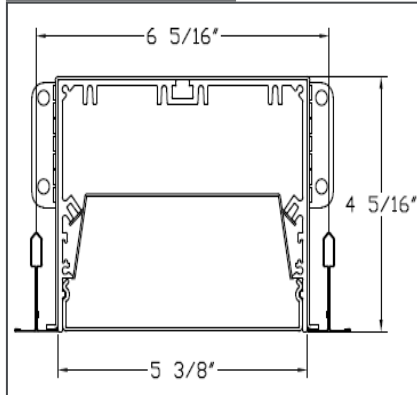
Ordering Example: LRK6 LED-4FT-LTG2-4000K-UNV-NT-LTEA-EM

## Mounting Options

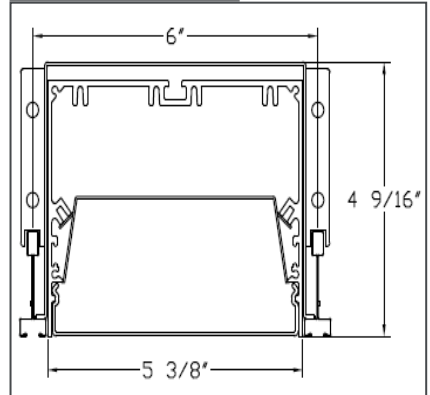
T- 9/16 Tee Grid



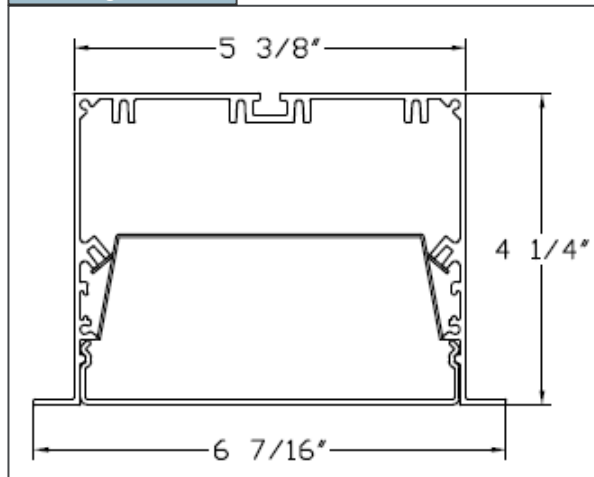
T- 15/16 Tee Grid



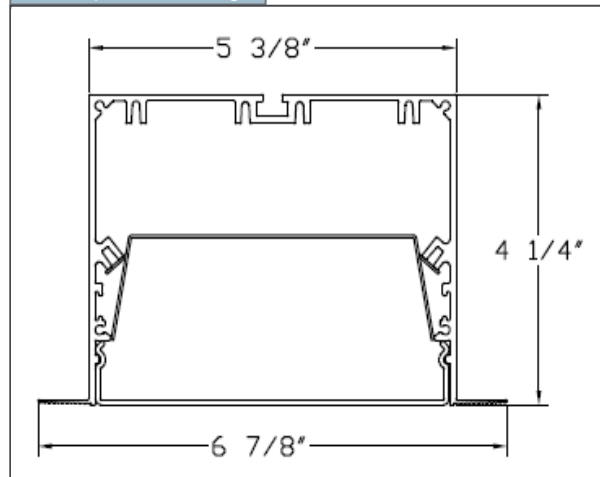
SG- Slot Grid



F- Flange



NT- Spackle Flange



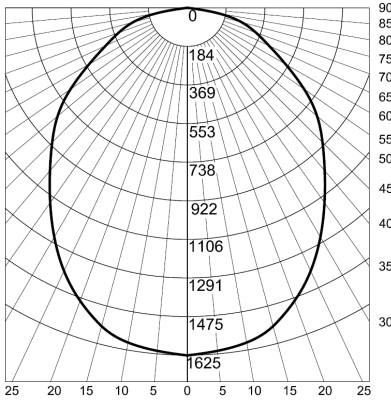
## Corners and Patterns

The LRK6 LED is available with illuminated corners, angles, and custom patterns. Configurations vary per order; consult factory for additional information.

NOTE: All angles are within 5 degree increments; industry tolerance is +/- 1.5 degrees.

Photometrics

**LRK6 LED 4FT LTC1 3500K**  
DELIVERED LUMENS: 3,400Lm  
TOTAL WATTS: 45W  
EFFICACY: 78 Lumens/Watt



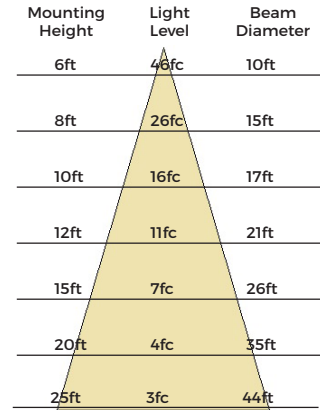
ZONAL LUMEN SUMMARY

Zone	Lumens	%Lamp	%Fixt
0.00 - 30.00	1192.04	27.09	35.03
0.00 - 40.00	1910.82	43.43	56.15
0.00 - 60.00	3105.38	70.58	91.26
0.00 - 90.00	3402.94	77.34	100.00
90.00 - 120.00	0.23	0.01	0.01
90.00 - 150.00	0.23	0.01	0.01
90.00 - 180.00	0.23	0.01	0.01
0.00 - 180.00	3402.94	77.34	100.0

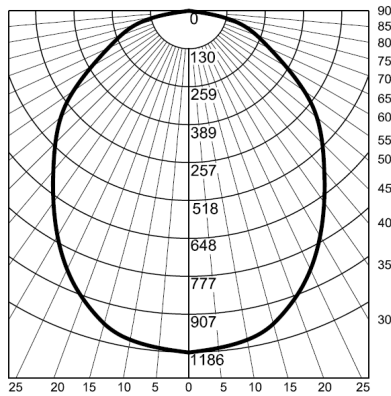
CANDELA DISTRIBUTION

	0.00	22.50	45.00	67.50	90.00
0.00	1297.30	1297.30	1297.30	1297.30	1297.30
5.00	1281.09	1281.11	1294.70	1269.14	1275.14
10.00	1242.61	1255.01	1246.87	1241.77	1243.88
15.00	1214.90	1209.13	1208.27	1202.41	1205.17
20.00	1170.54	1161.05	1153.63	1154.26	1145.25
25.00	1102.46	1098.06	1089.17	1088.69	1094.51
30.00	1032.65	1026.70	1027.05	1025.43	1024.11
35.00	958.74	952.64	953.76	946.92	947.28
40.00	868.99	869.12	866.68	857.64	856.42
45.00	782.42	776.78	775.11	768.19	760.90
50.00	686.17	680.08	676.13	669.20	660.88
55.00	582.11	580.30	572.80	563.72	560.30
60.00	474.01	472.31	466.34	455.52	452.27
65.00	364.87	366.48	358.90	350.22	346.67
70.00	261.36	260.91	254.18	246.45	245.18
75.00	163.05	160.39	154.82	150.18	147.31
80.00	79.18	76.95	73.55	70.25	68.67
85.00	24.46	23.42	21.56	19.68	18.93
90.00	4.48	2.91	2.93	3.17	3.72

CONE OF LIGHT



**LRK6 LED 4FT LTC2 3500K**  
DELIVERED LUMENS: 2,410Lm  
TOTAL WATTS: 30W  
EFFICACY: 80 Lumens/Watt



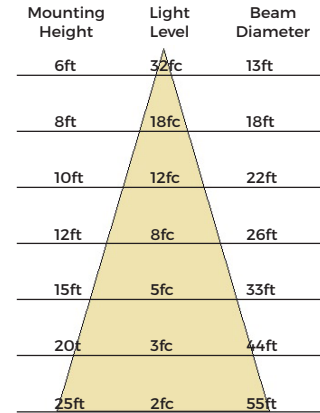
ZONAL LUMEN SUMMARY

Zone	Lumens	%Lamp	%Fixt
0.00 - 30.00	846.47	27.13	35.09
0.00 - 40.00	1356.80	43.48	56.25
0.00 - 60.00	2202.30	70.58	91.30
0.00 - 90.00	2412.29	77.31	100.00
90.00 - 120.00	0.15	0.00	0.01
90.00 - 150.00	0.15	0.00	0.01
90.00 - 180.00	0.15	0.00	0.01
0.00 - 180.00	2412.29	77.31	100.00

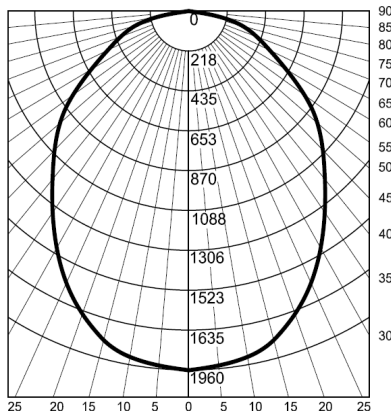
CANDELA DISTRIBUTION

	0.00	22.50	45.00	67.50	90.00
0.00	1165.98	1165.98	1165.98	1165.98	1165.98
5.00	1113.00	1136.39	1110.45	1119.39	1123.85
10.00	1115.66	1088.01	1078.38	1085.48	1055.23
15.00	1061.06	1060.01	1051.99	1040.91	1062.90
20.00	1020.91	1016.69	1004.99	996.80	1012.18
25.00	965.87	961.37	946.83	956.32	948.50
30.00	903.76	894.90	897.72	893.49	892.38
35.00	841.05	827.37	818.69	819.42	812.48
40.00	745.27	735.48	731.10	723.62	722.04
45.00	644.15	641.87	633.92	627.05	609.39
50.00	537.27	532.68	522.92	513.28	508.30
55.00	422.46	416.05	410.59	396.91	392.40
60.00	306.49	300.68	289.07	278.97	280.64
65.00	185.99	179.41	174.46	167.20	164.46
70.00	84.43	81.96	79.13	75.47	74.65
75.00	21.81	20.95	21.12	20.20	20.23
80.00	2.37	2.74	3.88	4.15	4.43
85.00	0.35	0.55	1.33	2.26	2.38
90.00	0.11	0.31	0.40	0.95	1.06

CONE OF LIGHT



**LRK6 LED 4FT LTC3 3500K**  
DELIVERED LUMENS: 4,020Lm  
TOTAL WATTS: 54W  
EFFICACY: 75 Lumens/Watt



ZONAL LUMEN SUMMARY

Zone	Lumens	%Lamp	%Fixt
0.00 - 30.00	1411.14	27.13	35.10
0.00 - 40.00	2260.43	43.46	56.22
0.00 - 60.00	3659.40	70.55	91.27
0.00 - 90.00	4020.40	77.30	100.00
90.00 - 120.00	0.27	0.01	0.01
90.00 - 150.00	0.27	0.01	0.01
90.00 - 180.00	0.27	0.01	0.01
0.00 - 180.00	4020.40	77.30	100.00

CANDELA DISTRIBUTION

	0.00	22.50	45.00	67.50	90.00
0.00	1958.51	1958.51	1958.51	1958.51	1958.51
5.00	1919.26	1918.45	1884.48	1859.29	1881.45
10.00	1791.61	1803.75	1813.56	1784.47	1801.25
15.00	1761.72	1764.47	1766.33	1744.99	1746.41
20.00	1693.97	1687.14	1698.70	1665.78	1664.34
25.00	1605.48	1607.41	1587.71	1589.80	1575.43
30.00	1509.26	1495.56	1505.73	1473.90	1466.87
35.00	1379.79	1385.34	1363.68	1359.66	1351.63
40.00	1230.84	1236.48	1217.07	1206.92	1198.57
45.00	1077.92	1066.02	1053.02	1031.92	1034.96
50.00	887.94	891.06	874.83	857.40	850.47
55.00	702.68	697.32	680.29	662.60	658.31
60.00	498.88	496.22	485.97	466.80	463.87
65.00	315.37	308.11	292.35	278.36	273.73
70.00	140.98	136.22	130.74	126.77	123.52
75.00	35.13	34.73	34.87	34.33	33.60
80.00	3.99	4.78	5.99	6.68	7.24
85.00	0.60	0.79	2.60	3.95	4.86
90.00	0.48	0.49	0.98	1.38	1.85

CONE OF LIGHT

